


WAAS CH 86806 W27A	APP CRS 272°	Rwy Idg TDZE 770 Apt Elev 770	6500
--	------------------------	---	-------------

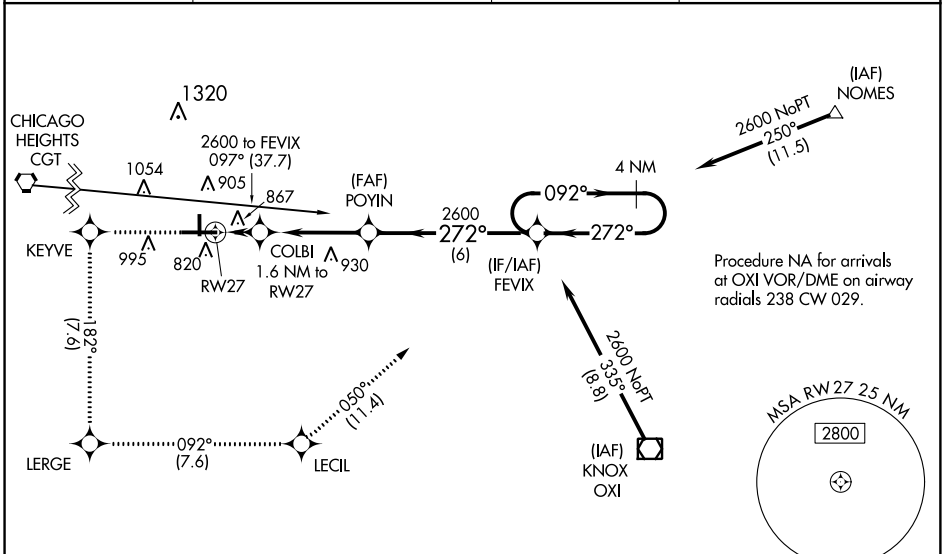
RNAV (GPS) RWY 27

PORTER COUNTY RGNL (VPZ)

Baro-VNAV NA when using Lansing Muni altimeter setting. For uncompensated Baro-VNAV systems, procedure NA below -16°C (4°F) or above 54°C (130°F).
DME/DME RNP-0.3 NA. When local altimeter setting not received, use Lansing Muni altimeter setting and increase all DA 77 feet and all MDA 80 feet, and increase LPV and LNAV/VNAV all Cats, and Circling Cat C visibility 1/4 mile. For inoperative MALSR, increase LNAV Cat D visibility to 1 1/4, when using Lansing Muni altimeter setting increase LPV all Cats visibility to 1 1/4.

MALSR

MISSED APPROACH:
 Climb to 2600 direct KEYVE and on track 182° to LERGE and on track 092° to LECIL and on track 050° to FEVIX and hold.

ASOS 125.875	SOUTH BEND APP CON * 132.05 257.8	CLNC DEL 120.525	UNICOM 122.725 (CTAF)
------------------------	---	----------------------------	---------------------------------

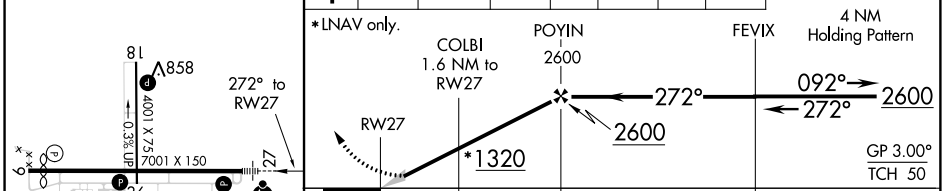


EC-2: 26 APR 2018 to 24 MAY 2018

EC-2: 26 APR 2018 to 24 MAY 2018

ELEV 770	D	TDZE 770
----------	----------	----------

2600 KEYVE	LERGE	LECIL	FEVIX	VGSi and descent angles not coincident.
↑	tr 182°	tr 092°	tr 050°	



CATEGORY	A	B	C	D
LPV DA		1020-1/2	250 (300-1/2)	
LNAV/VNAV DA		1201-1	431 (500-1)	
LNAV MDA	1180-1/2	410 (500-1/2)	1180-3/4 410 (500-3/4)	1180-1 410 (500-1)
CIRCLING	1260-1 490 (500-1)	1300-1 530 (600-1)	1300-1 1/2 530 (600-1 1/2)	1360-2 590 (600-2)