

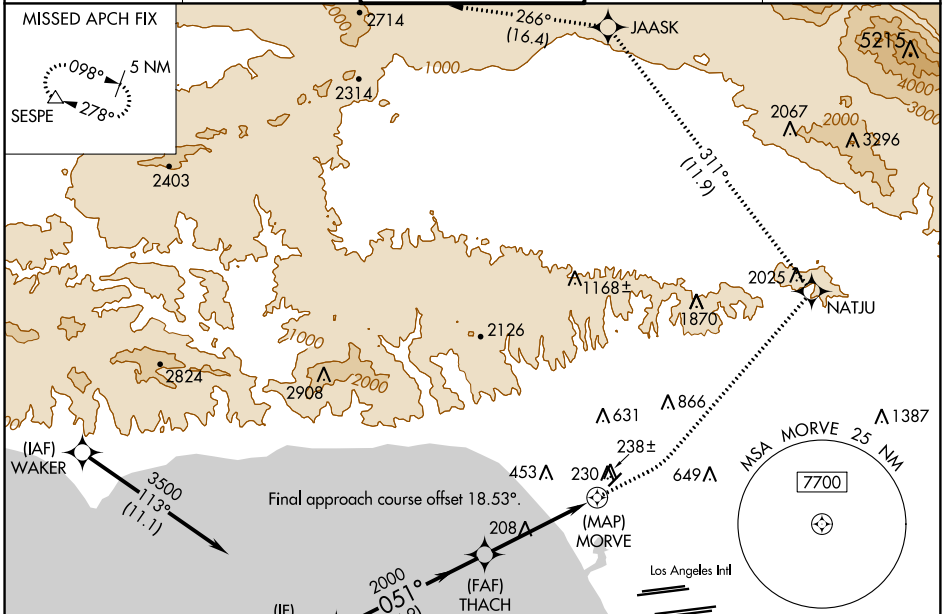
| | | | |
|--|------------------------|---|-------------|
| WAAS CH 50339 W03A | APP CRS 051° | Rwy Idg TDZE 164 Apt Elev 170 | 3500 |
|--|------------------------|---|-------------|

RNAV (GPS) Y RWY 3

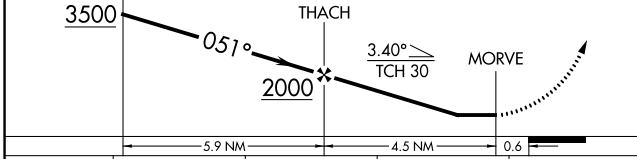
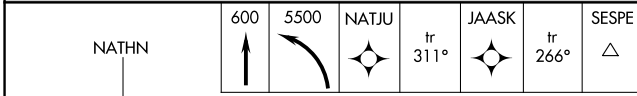
SANTA MONICA MUNI (SMO)

| | | | |
|---|--|---|--|
| <p>Rwy 3 helicopter visibility reduction below 3/4 SM NA. DME/DME RNP-0.3 NA.</p> | | <p>MISSED APPROACH: Climb to 600 then climbing left turn to 5500 direct NATJU and track 311° to JAASK and track 266° to SESPE and hold. *Missed approach requires minimum climb of 300 feet per NM to 2400.</p> | |
|---|--|---|--|

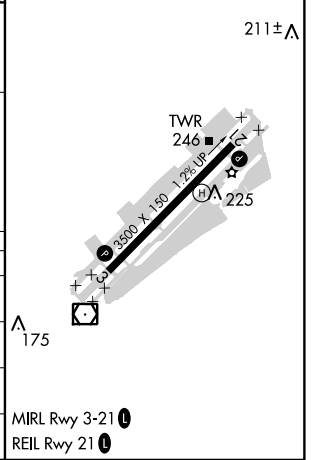
| | | | | |
|-----------------------|---------------------------------------|---|-------------------------|-------------------------|
| ATIS 119.15 | SOCAL APP CON 128.5 235.975 | SANTA MONICA TOWER * 120.1 (CTAF) 0 257.8 | GND CON 121.9 | UNICOM 122.95 |
|-----------------------|---------------------------------------|---|-------------------------|-------------------------|



| | |
|----------|----------|
| ELEV 170 | TDZE 164 |
|----------|----------|



| CATEGORY | A | B | C | D |
|-----------|-----------------------|-------------------------|---------|--------------|
| LP MDA* | 460-1 296 (300-1) | | | |
| LP MDA | 920-1 756 (800-1) | 920-1¼ 756 (800-1¼) | 920-2½ | 756 (800-2½) |
| LNAV MDA | 1020-1 856 (900-1) | 1020-1¼ 856 (900-1¼) | 1020-2½ | 856 (900-2½) |
| LNAV MDA* | 500-1 336 (400-1) | 500-1¼ 336 (400-1¼) | 500-2½ | 336 (400-2½) |



SW-3, 21 JUN 2018 to 19 JUL 2018

SW-3, 21 JUN 2018 to 19 JUL 2018