


LOC I-SBP <b>109.7</b>	APP CRS <b>110°</b>	Rwy ldg TDZE Apt Elev	<b>5300</b> <b>198</b> <b>212</b>
---------------------------	------------------------	-----------------------------	---

# LOC RWY 11

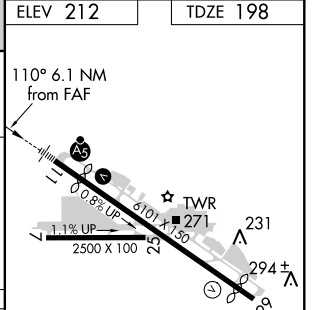
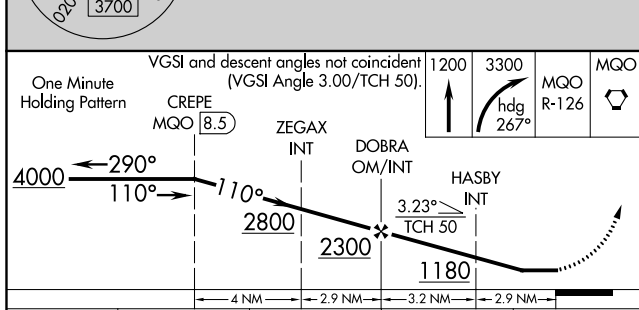
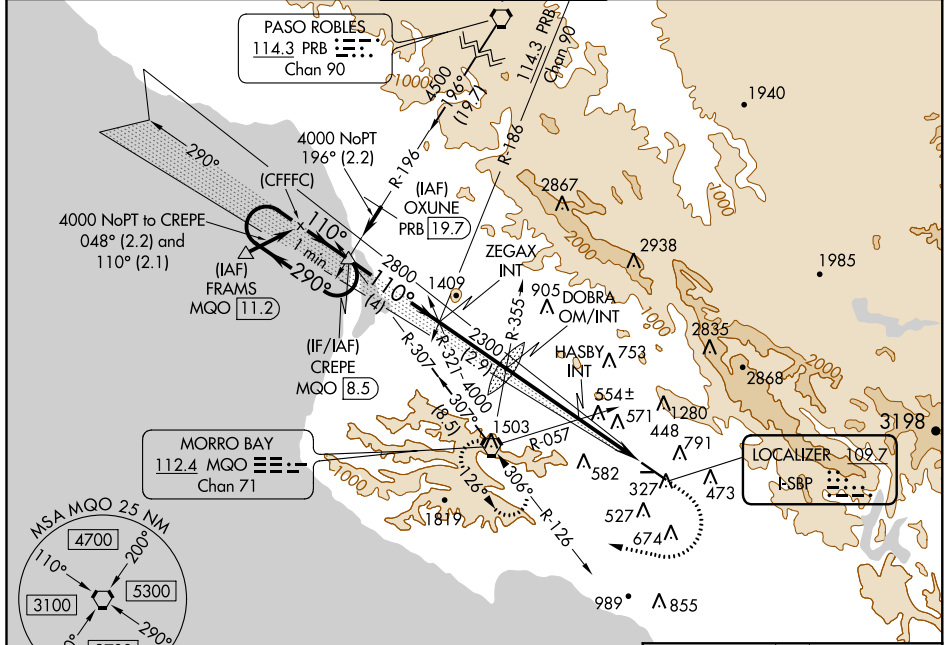
SAN LUIS COUNTY RGNL (SBP)

**⚠** Circling NA north of Rwy 11-29.


**MALS** 


**MISSED APPROACH:** Climb to 1200 then climbing right turn to 3300 on heading 267° and on MQO VORTAC R-126 to MQO VORTAC and hold.

ATIS <b>120.6</b>	SANTA BARBARA APP CON* <b>127.725 244.575</b>	SAN LUIS TOWER* <b>124.0 (CTAF) 0 379.9</b>	GND CON <b>121.6</b>	UNICOM <b>122.95</b>
----------------------	--	--	-------------------------	-------------------------



CATEGORY	A	B	C	D
S-11	1180-3/4 982 (1000-3/4)	1180-1 982 (1000-1)	1180-2 1/2 982 (1000-2 1/2)	
CIRCLING	1180-1 1/4 968 (1000-1 1/4)	1180-1 1/2 968 (1000-1 1/2)	1180-3 968 (1000-3)	1240-3 1028 (1100-3)
HASBY INT MINIMUMS (DUAL VOR RECEIVERS REQUIRED)				
S-11	760-1/2 562 (600-1/2)		760-1 1/4 562 (600-1 1/4)	
CIRCLING	840-1 628 (700-1)	960-1 748 (800-1)	1160-2 3/4 948 (1000-2 3/4)	1240-3 1028 (1100-3)

REIL Rwy 29 

HIRL Rwy 11-29 

FAF to MAP 6.1 NM

Knots	60	90	120	150	180
Min:Sec	6:06	4:04	3:03	2:26	2:02

SW-3, 28 FEB 2019 to 28 MAR 2019

SW-3, 28 FEB 2019 to 28 MAR 2019