

# RNAV (RNP) Y RWY 13C

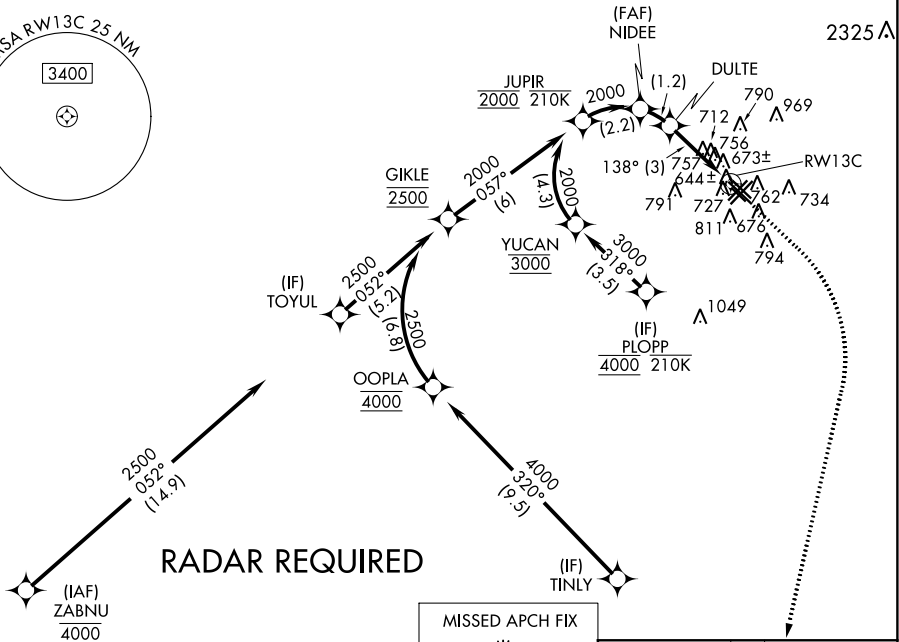
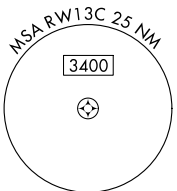
CHICAGO MIDWAY INTL (MDW)

APP CRS	Rwy Idg	<b>6059</b>
<b>138°</b>	TDZE	<b>611</b>
	Apt Elev	<b>620</b>

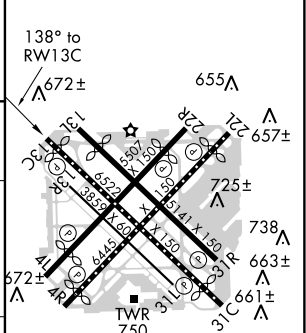
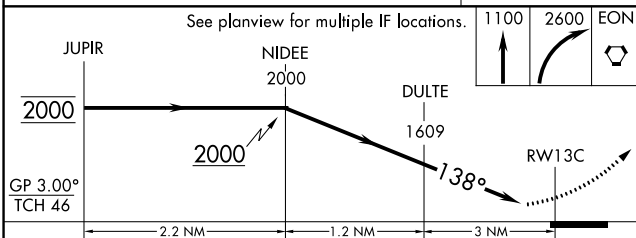
▼ For uncompensated Baro-VNAV systems, procedure NA below -19°C (-2°F) or above 54°C (130°F). RF required. GPS required. Night landing: Rwy 13C Cat C and D operational VGSIs required, remain on or above VGSIs glidepath until threshold.

MISSED APPROACH: Climb to 1100 then climbing right turn to 2600 direct EON VORTAC and hold.

D-ATIS	CHICAGO APP CON	MIDWAY TOWER	GND CON	CLNC DEL	CPDLC
<b>132.75</b>	<b>128.2 353.875</b>	<b>135.2 269.125</b>	<b>121.65</b>	<b>124.625</b>	



ELEV 620	<b>D</b>	TDZE 611
----------	----------	----------



GP 3.00°	TCH 46			
CATEGORY	A	B	C	D
RNP 0.11 DA		891/50	280 (300-1)	
RNP 0.18 DA		997-1¼	386 (400-1¼)	
RNP 0.30 DA		1049-1½	438 (500-1½)	

HIRL Rws 13C-31C and 4R-22L  
MIRL Rws 4L-22R, 13L-31R, and 13R-31L  
REIL Rws 4R, 22L, and 31C  
RLS Rws 13C and 31C

## AUTHORIZATION REQUIRED

EC-3, 28 MAR 2019 to 25 APR 2019

EC-3, 28 MAR 2019 to 25 APR 2019