

(KAYLNT.KAYLN) 18200

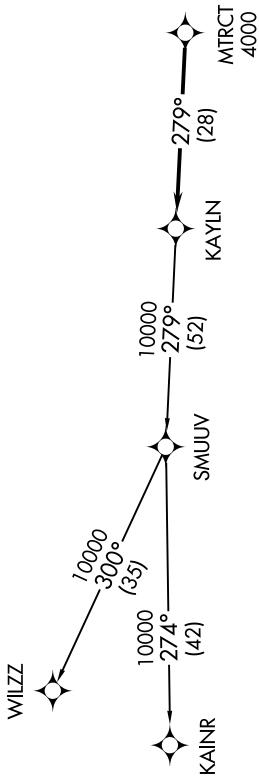
KAYLN ONE DEPARTURE (RNAV)

AL-119 (FAA)

DETROIT METROPOLITAN WAYNE COUNTY (DTW)

DETROIT, MICHIGAN

D-ATIS 118.125
 CLNC DEL 120.65
 CPDLC
 GND CON
 121.8 (NW) 119.45 (NE)
 132.725 (SW) 119.25 (SE)
 METRO TOWER
 118.4 317.725 (Rwys 3L/R, 21L/R, 27R)
 128.75 317.725 (Rwys 27L)
 135.0 317.725 (Rwy 4L/R, 22L/R)
 DETROIT DEP CON
 125.525 284.0



TAKEOFF MINIMUMS:

Rwys 3L/R, 4L/R, 21L/R, 22L/R: Standard.

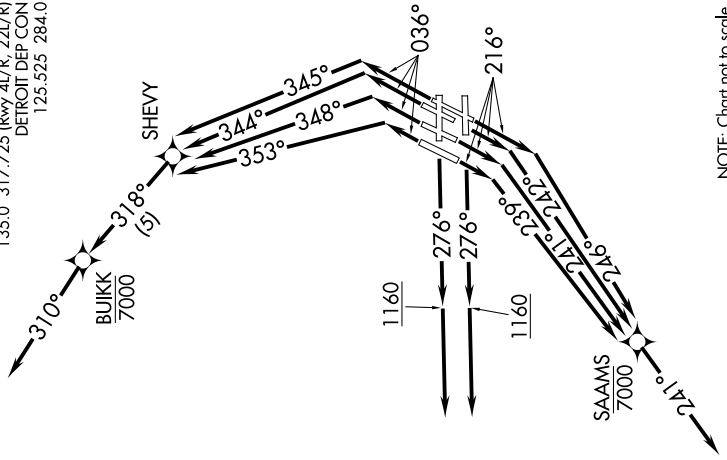
Rwys 27L/R: Standard with minimum climb of 500' per NM to 1160.

NOTE: RNAV 1.

NOTE: RADAR required.

NOTE: DME/DME/IRU or GPS required.

NOTE: Turbojet departures at/above 10000, maintain 280K until advised by ATC.



NOTE: Chart not to scale.

**TOP ALTITUDE:
ASSIGNED AT ATC**

(NARRATIVE ON FOLLOWING PAGE)

KAYLN ONE DEPARTURE (RNAV)

(KAYLNT.KAYLN) 19JUL18

DETROIT, MICHIGAN

DETROIT METROPOLITAN WAYNE COUNTY (DTW)