

LODI (103) 4 N UTC-8(-7DT) N38°12.15' W121°16.15'

60 B TPA-860(800) NOTAM FILE RIU

RWY 08-26: H3547X40 (ASPH) S-30 LIRL(NSTD)

RWY 08: Thld dspcld 515'. Pole.

RWY 26: Thld dspcld 388'. Pole. Rgt tfc.

RWY 12-30: H1979X25 (ASPH-GRVD) S-30

RWY 12: Thld dspcld 182'. Tree. Rgt tfc.

RWY 30: Thld dspcld 102'. Tree.

SERVICE: S4 FUEL 100LL, JET A OX 3 LGT Rwy 08-26 NSTD LIRL located 30' from pavement edge. EOR lights located at both dspcld thlds to Rwy 08-26. Rwy 08 edge lgts extended approximately 400' west of thld.

AIRPORT REMARKS: Attended 1700Z±-dusk. Parachute Jumping. Automated credit card fuel system 24 hrs a day.

AIRPORT MANAGER: 209-369-9126

COMMUNICATIONS: CTAF 122.9

Ⓡ NORCAL APP CON 125.1

Ⓡ NORCAL DEP CON 125.1 (Southbound) 125.25 (Northbound)

CLEARANCE DELIVERY PHONE: For CD ctc NorCal Apch at 916-361-0516.

RADIO AIDS TO NAVIGATION: NOTAM FILE RIU.

LINDEN (H) VOR/DME 114.8 LIN Chan 95 N38°04.47'

W121°00.23' 284° 14.7 NM to fld. 266/17E.

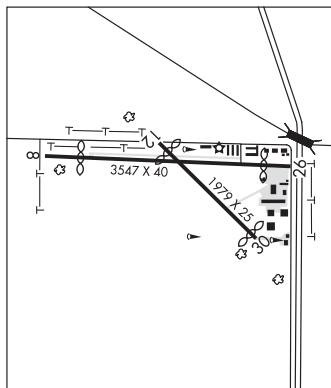
DME unusable:

191°-235°

SAN FRANCISCO

L-2F, 3A

IAP



LODI AIRPARK (L53) 3 SW UTC-8(-7DT) N38°05.05' W121°18.98'

25 TPA-825(800) NOTAM FILE RIU

RWY 07-25: H1875X22 (ASPH)

RWY 07: Road.

RWY 25: Brush.

AIRPORT REMARKS: Attended Jan-Sep 1600-0100Z±; Oct-Dec Mon-Fri 1600-2000Z±. 380' apron extends east from end of Rwy 25. Rwy 25 first 1200 ft is 36 ft wide, remainder is 22 ft wide.

AIRPORT MANAGER: (209) 327-3311

COMMUNICATIONS: CTAF 122.9

CLEARANCE DELIVERY PHONE: For CD ctc NorCal Apch at 916-361-0516.

SAN FRANCISCO

LOMPOC (LPC)(KLPC) 2 N UTC-8(-7DT) N34°39.94' W120°28.05'

88 B TPA-901(813) NOTAM FILE LPC

RWY 07-25: H4600X100 (ASPH) S-17 MIRL

RWY 07: Brush.

RWY 25: REIL. VASI(V4L)-GA 3.25° TCH 26'. Trees. Rgt tfc.

SERVICE: S4 FUEL 100LL, JET A OX 1, 3 LGT ACTIVATE MIRL Rwy 07-25, VASI and REIL Rwy 25-CTAF.

AIRPORT REMARKS: Attended 1600-0100Z±. Attended by FBO, phone 805-717-3558. Fuel avbl 24 hrs, self-service credit card only. Parachute Jumping. Ultralight and sky diving activity invof arpt dalgt hrs Fri-Sun. Deer on and invof arpt.

AIRPORT MANAGER: 805-875-8268

WEATHER DATA SOURCES: AWOS-3PT 133.875 (805) 735-3075.

COMMUNICATIONS: CTAF/UNICOM 122.7

Ⓡ SANTA BARBARA APP/DEP CON 124.15

Ⓡ L.A. CENTER APP/DEP CON 119.05

CLEARANCE DELIVERY PHONE: For CD ctc Los Angeles ARTCC at 661-575-2079.

RADIO AIDS TO NAVIGATION: NOTAM FILE HHR.

GAVIOTA (L) VORTACW 113.8 GVO Chan 85 N34°31.88'

W120°05.47' 277° 20.3 NM to fld. 2616/16E.

VORTAC unusable:

117°-137° byd 35 NM

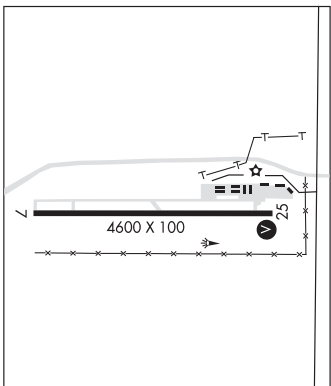
310°-095° byd 10 NM blo 8,500'

360°-095° byd 20 NM blo 12,500'

LOS ANGELES

L-3D, 4F, 7A

IAP



LOMPOC HLZ N34°28.10' W120°40.85'/149

AWOS-3 121.975

LOS ANGELES

H-4H, L-3D, 4F, 7A