

WAAS CH 70625 W17A	APP CRS 174°	Rwy Idg 9001 TDZE 32 Apt Elev 33
--	------------------------	---

RNAV (GPS) RWY 17R

ELLINGTON (EFD)

⚠ For uncompensated Baro-VNAV systems, LNAV/VNAV NA below -15°C (5°F) or above 43°C (109°F). DME/DME RNP-0.3 NA. Inop table does not apply to LPV DA. For inop MALSF, increase LNAV/VNAV all Cats and LNAV Cats A and B visibility to RVR 5500 and Cats C/D/E visibility to 1½ miles. Circling NA west of Rwy 17R-35L.

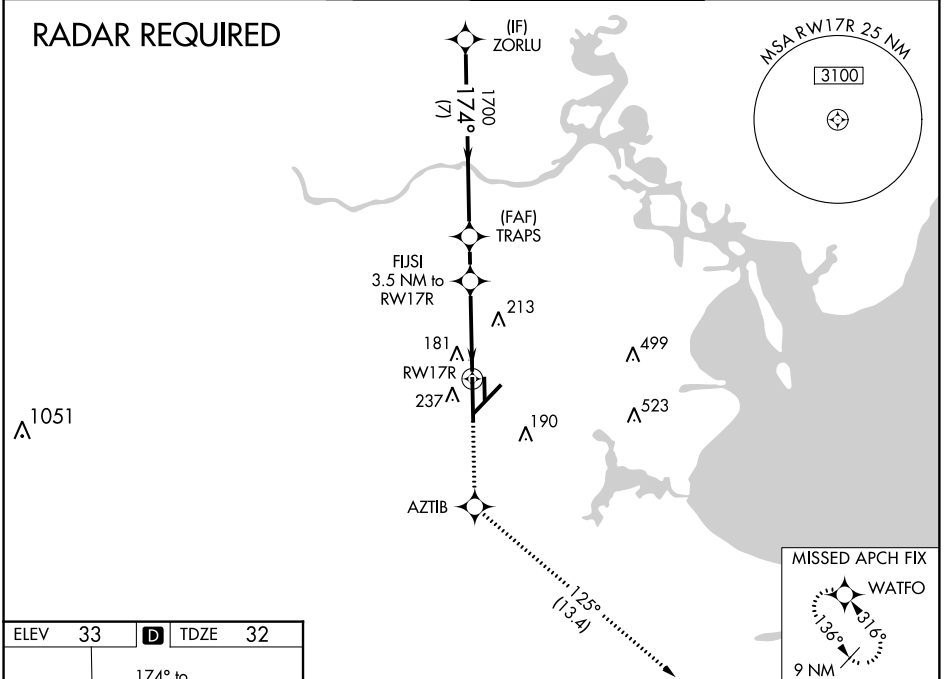
MALSF



MISSED APPROACH: Climb to 3100 direct AZTIB and on track 125° to WATFO and hold.

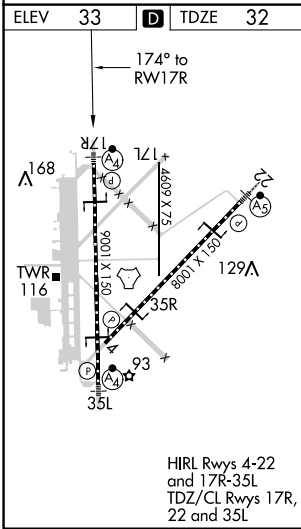
ATIS 135.575 269.9	HOUSTON APP CON 134.45 284.0	ELLINGTON TOWER 126.05 253.5	GND CON 121.6 275.8
------------------------------	--	--	-------------------------------

RADAR REQUIRED



SC-5, 12 SEP 2019 to 10 OCT 2019

SC-5, 12 SEP 2019 to 10 OCT 2019



VGSI and RNAV glidepath not coincident (VGSI Angle 3.00/TCH 48).		3100	AZTIB	tr 125°	WATFO
ZORLU	2000	TRAPS	FJJSI	*LNAV only.	
	174°	1700	3.5 NM to RWY 17R	*1.4 NM to RWY 17R	
	1700			RWY 17R	
				*1180	
				7 NM	
				1.6 NM	
				2.2 NM	
				1.4 NM	
GP 3.00° TCH 52					
CATEGORY	A	B	C	D	E
LPV DA		232/40	200 (200-¾)		
LNAV/VNAV DA		363/40	331 (400-¾)		
LNAV MDA	500/40	468 (500-¾)	500/60	468 (500-1¼)	
CIRCLING	500-1	467 (500-1)	500-1½ 467 (500-1½)	600-2 567 (600-2)	660-2¼ 627 (700-2¼)