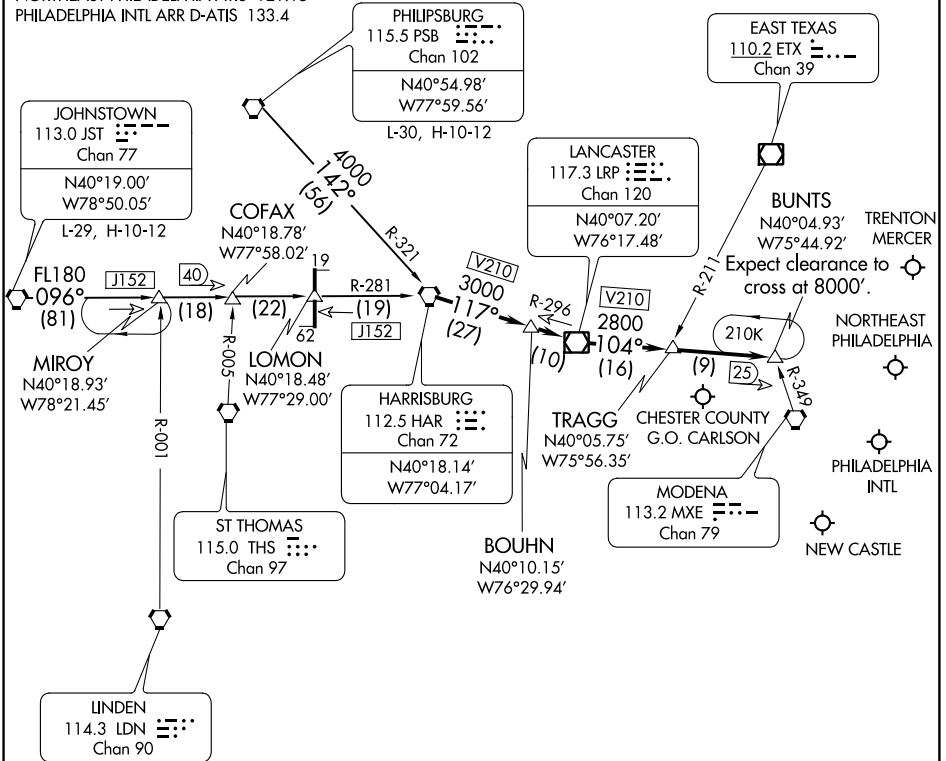


# BUNTS TWO ARRIVAL

PHILADELPHIA, PENNSYLVANIA

PHILADELPHIA APP CON  
 128.4 272.575  
 TRENTON MERCER ATIS 126.775  
 NEW CASTLE ATIS 123.95  
 NORTHEAST PHILADELPHIA ATIS 121.15  
 PHILADELPHIA INTL ARR D-ATIS 133.4



NE-4, 10 OCT 2019 to 07 NOV 2019

NE-4, 10 OCT 2019 to 07 NOV 2019

NOTE: This STAR is for aircraft capable of 250K or greater.

NOTE: Chart not to scale.

### JOHNSTOWN TRANSITION (JST.BUNTS2):

### PHILIPSBURG TRANSITION (PSB.BUNTS2):

From over HAR VORTAC via HAR R-117 (V210) and LRP R-296 to LRP VOR/DME, thence via LRP R-104 (V210) to BUNTS INT. Expect RADAR vectors to final approach course.

# BUNTS TWO ARRIVAL

(HAR.BUNTS2) 15SEP16

PHILADELPHIA, PENNSYLVANIA