

JASPER

MARION CO—BROWN FLD (APT)(KAPT) 4 SE UTC-6(-5DT) N35°03.64' W85°35.12'

ATLANTA
L-25A
IAP

641 B NOTAM FILE BNA

RWY 04-22: H3498X75 (ASPH) S-30 MIRL

RWY 04: REIL. PAPI(P4L)—GA 3.5° TCH 26'. Tree.

RWY 22: REIL. PAPI(P4L)—GA 3.5° TCH 26'. Tree. Rgt tfc.

SERVICE: FUEL 100LL, JET A+, MOGAS

AIRPORT REMARKS: Attended Mon-Sat 1400-2300Z†, Sun 1900-2300Z†.

CLOSED federal holidays. Deer on and invof arpt. Ultralight act on and invof arpt.

AIRPORT MANAGER: 423-942-5234

COMMUNICATIONS: CTAF/UNICOM 122.8

CHATTANOOGA APP/DEP CON 119.2 (1100-0450Z‡)

ATLANTA CENTER APP/DEP CON 132.05 (0450-1100Z‡)

CLEARANCE DELIVERY PHONE: For CD ctc Chattanooga Apch at

423-855-6478. when Apch clsd for CD ctc Memphis ARTCC at 901-368-8453.

RADIO AIDS TO NAVIGATION: NOTAM FILE CHA.

CHOO CHOO (H) VORTACW 115.8 GQO Chan 105 N34°57.68'

W85°09.20' 285° 22.1 NM to fld. 1014/1E.

TACAN AZIMUTH unusable:

075°-110°

260°-290°

340°-350°. TACAN AZIMUTH OTS indef

TACAN DME unusable:

260°-290°



JEFFERSON N36°06.63' W83°28.54' NOTAM FILE BNA.

CINCINNATI
L-25B

NDB (MHW) 346 JXT 054° 6.4 NM to Moore-Murrell. 1218/4W.

NDB unusable:

Byd 15 NM

JOHN A BAKER FLD (See HOHENWALD on page 404)

JOHN C TUNE (See NASHVILLE on page 420)

JOHNSON CITY (ØA4) 3 NE UTC-5(-4DT) N36°21.82' W82°18.54'

CINCINNATI
L-25C

1550 NOTAM FILE BNA

RWY 04-22: H3000X50 (ASPH) S-15

RWY 04: Thld dsplcd 800'. Trees.

RWY 22: Trees.

AIRPORT REMARKS: Attended 1400-2200Z†. Recommended pat departure

Rwy 04, arr Rwy 22. Rwy 04-22 pavement cond downgraded to poor, grass growth on rwy, excessive cracking and oxidized pavement.

AIRPORT MANAGER: (423) 928-4500

COMMUNICATIONS: CTAF 122.9

CLEARANCE DELIVERY PHONE: For CD ctc Atlanta ARTCC at 770-210-7692.

RADIO AIDS TO NAVIGATION: NOTAM FILE BNA.

HOLSTON MOUNTAIN (L) VORTACW 114.6 H MV Chan 93 N36°26.22'

W82°07.78' 247° 9.7 NM to fld. 4321/4W.

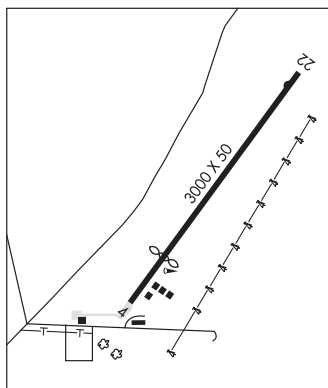
VOR unusable:

076°-126° byd 17 NM blo 8,500'

171°-178° byd 27 NM blo 10,000'

171°-178° within 27 NM blo 8,500'

260°-265° byd 36 NM blo 8,500'



JOHNSON CO (See MOUNTAIN CITY on page 419)