

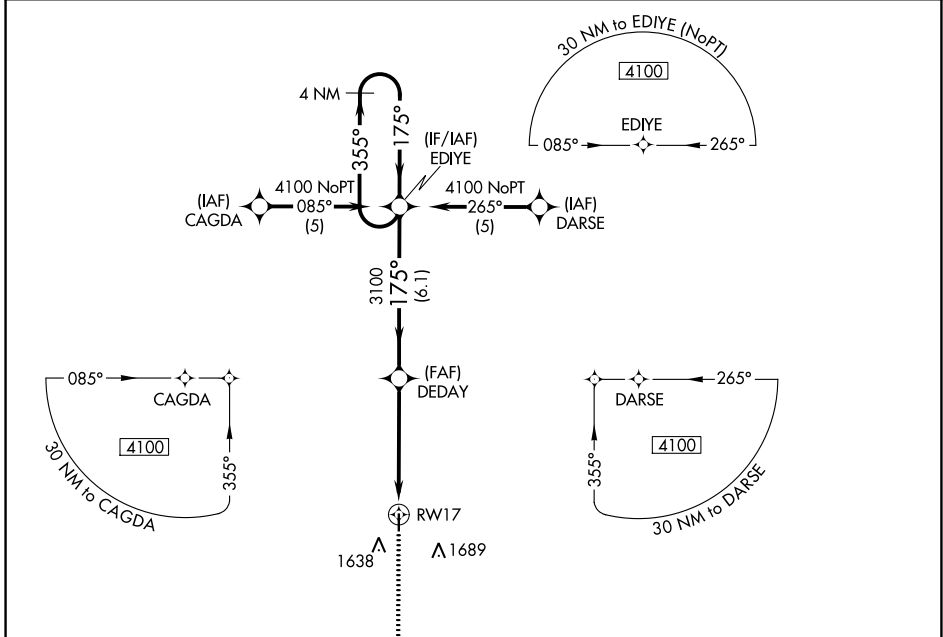
|                        |   |
|------------------------|---|
| APP CRS<br><b>175°</b> | Rwy Idg <b>3405</b><br>TDZE <b>1489</b><br>Apt Elev <b>1489</b> |
|------------------------|---|

# RNAV (GPS) RWY 17

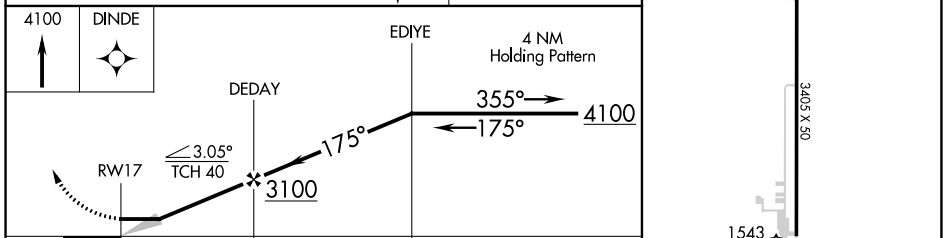
MOUNDRIDGE MUNI (47K)

|   |   |
|---|---|
| <p><b>NA</b> GPS or RNP-0.3 required. DME/DME RNP-0.3 NA. Use McPherson altimeter setting. Procedure NA at night.</p> | <p>MISSED APPROACH: Climb to 4100 direct DINDE WP and hold.</p> |
|---|---|

|   |                              |
|---|------------------------------|
| <p>WICHITA APP CON<br/><b>125.5 306.2</b></p> | <p>CTAF<br/><b>122.9</b></p> |
|---|------------------------------|



|                                  |                         |                         |
|----------------------------------|-------------------------|-------------------------|
| <p>MISSED APCH FIX<br/>DINDE</p> | <p>ELEV <b>1489</b></p> | <p>TDZE <b>1489</b></p> |
|----------------------------------|-------------------------|-------------------------|



| CATEGORY | A      | B           | C  | D |
|----------|--------|-------------|----|---|
| LNVA MDA | 1940-1 | 451 (500-1) | NA |   |
| CIRCLING | 2020-1 | 531 (600-1) | NA |   |

LIRL Rwy 17-35

NC-2, 10 SEP 2020 to 08 OCT 2020

NC-2, 10 SEP 2020 to 08 OCT 2020