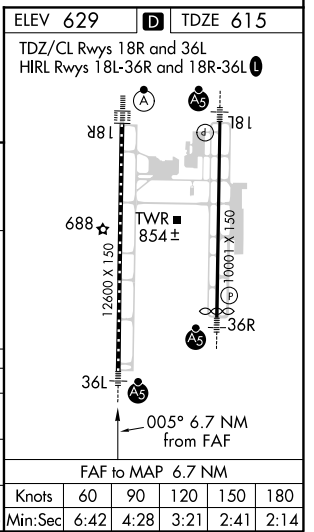
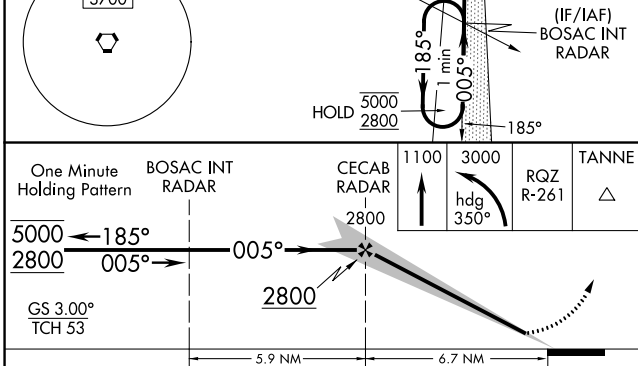
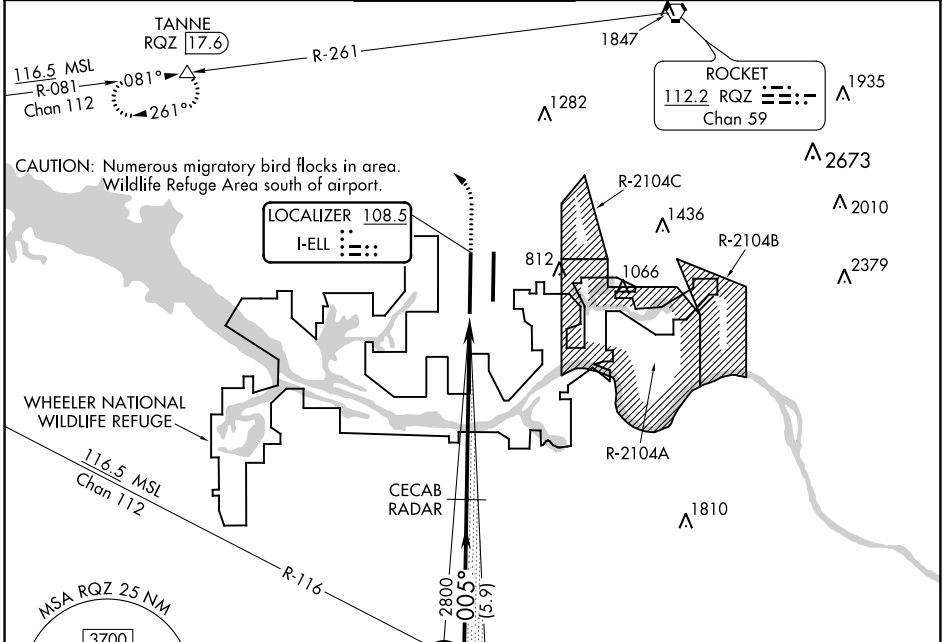


LOC I-ELL 108.5	APP CRS 005°	Rwy ldg 12600 TDZE 615 Apt Elev 629
---------------------------	------------------------	--

ILS or LOC RWY 36L

HUNTSVILLE INTL-CARL T JONES FIELD (HSV)

RADAR required for procedure entry.					MALSR 	MISSED APPROACH: Climb to 1100 then climbing left turn to 3000 on heading 350° to RQZ R-261 to TANNE INT/RQZ 17.6 DME and hold.
ATIS 121.25	HUNTSVILLE APP CON * 125.6 354.1	HUNTSVILLE TOWER * 127.6 (CTAF) 350.35	GND CON 121.9 269.525	CLNC DEL 120.35	UNICOM 122.95	



CATEGORY	A	B	C	D	E
S-ILS 36L	815/18 200 (200-1/2)				
S-LOC 36L	1240/24 625 (700-1/2)	1240-13/8 625 (700-13/8)			
CIRCLING	1240-1 611 (700-1)	1240-13/4 611 (700-13/4)	1240-2 611 (700-2)	1260-21/4 631 (700-21/4)	

SE-4, 05 NOV 2020 to 03 DEC 2020

SE-4, 05 NOV 2020 to 03 DEC 2020