

WAAS CH <b>49201</b> <b>W18A</b>	APP CRS <b>181°</b>	Rwy ldg <b>6502</b> TDZE <b>298</b> Apt Elev <b>298</b>
--	------------------------	---

# RNAV (GPS) RWY 18

HATTIESBURG-LAUREL RGNL (PIB)

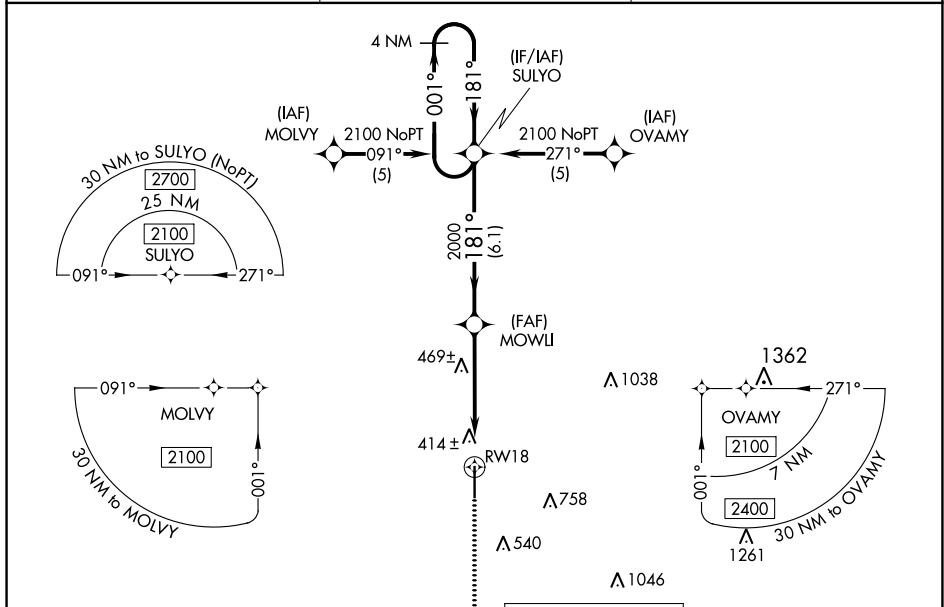
**⚠** For inoperative MALSRS, increase LNAV Cat D visibility to 1 1/2 mile. Baro-VNAV NA when using Bobby L. Chain Muni altimeter setting. For uncompensated Baro-VNAV systems, LNAV/VNAV NA below -15°C (5°F) or above 48°C (118°F). DME/DME RNP-0.3 NA. When local altimeter setting not received, use Hattiesburg Bobby L. Chain Muni altimeter setting and increase all DA 51 feet and increase all MDA 60 feet, and increase LNAV/VNAV all Cats visibility 1/2 mile. VDP NA with Bobby L. Chain Muni altimeter setting.

MALSRS



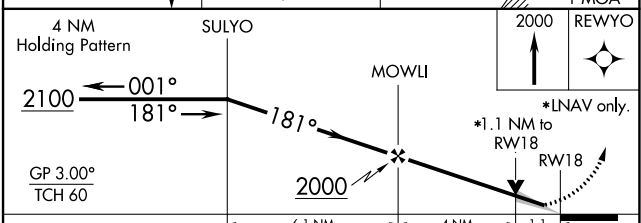
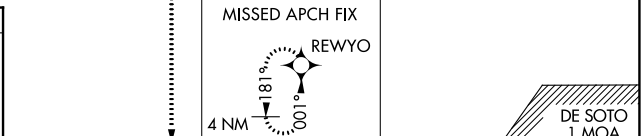
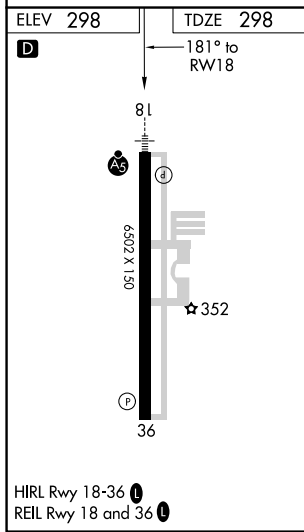
**MISSED APPROACH:**  
Climb to 2000 direct REWYO and hold.

AWOS-3PT <b>128.325</b>	HOUSTON CENTER <b>126.8 327.8</b>	UNICOM <b>123.0 (CTAF) ①</b>
----------------------------	--------------------------------------	---------------------------------



SC-4, 05 NOV 2020 to 03 DEC 2020

SC-4, 05 NOV 2020 to 03 DEC 2020



CATEGORY	A	B	C	D
LPV DA		498-1/2	200 (200-1/2)	
LNAV/VNAV DA		691-3/4	393 (400-3/4)	
LNAV MDA	720-1/2	422 (500-1/2)	720-3/4	720-1
			422 (500-3/4)	422 (500-1)
CIRCLING	740-1	760-1	760-1 1/2	860-2
	442 (500-1)	462 (500-1)	462 (500-1 1/2)	562 (600-2)