

APP CRS 276°	Rwy Idg 4298
	TDZE 813
	Apt Elev 818

RNAV (GPS) RWY 27

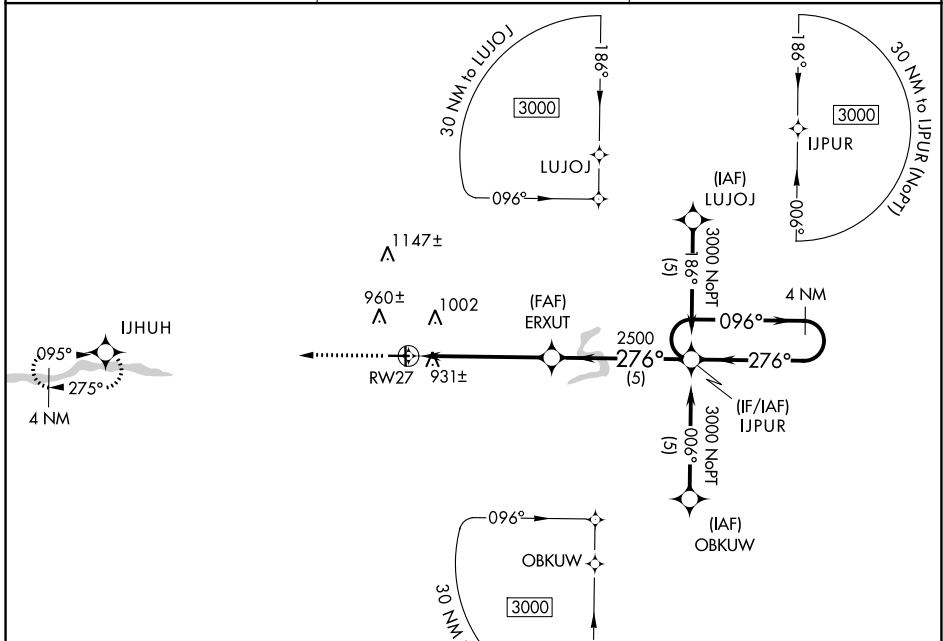
IONIA COUNTY (Y7⁰)

RNP APCH.

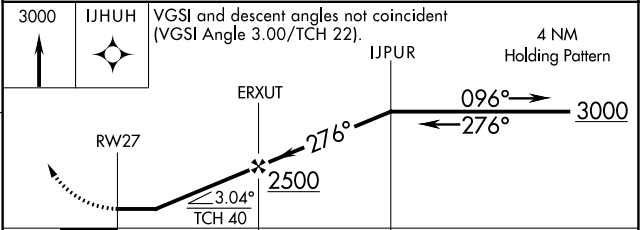
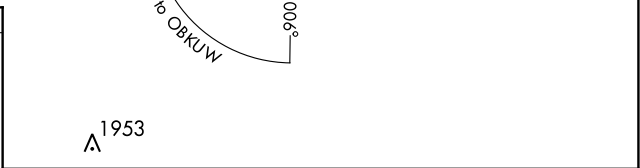
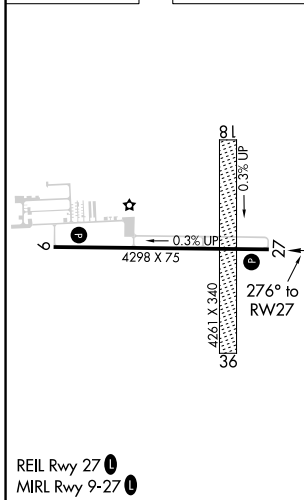
▼ Rwy 27 helicopter visibility reduction below 1 SM NA.
▲ NA Circling NA to Rwys 18 and 36.

MISSED APPROACH: Climb to 3000
 direct IJHUH WP and hold.

AWOS-3 118.9	GREAT LAKES APP CON 118.65 226.4	UNICOM 122.8 (CTAF)
------------------------	--	-------------------------------



ELEV 818	TDZE 813
----------	----------



CATEGORY	A	B	C	D
LNAV MDA	1260 - 1	447 (500-1)	1260-1 ³ / ₈ 447 (500-1 ³ / ₈)	NA
CIRCLING	1380 - 1	562 (600-1)	1380-1 ¹ / ₂ 562 (600-1 ¹ / ₂)	NA

EC-1, 31 DEC 2020 to 28 JAN 2021

EC-1, 31 DEC 2020 to 28 JAN 2021