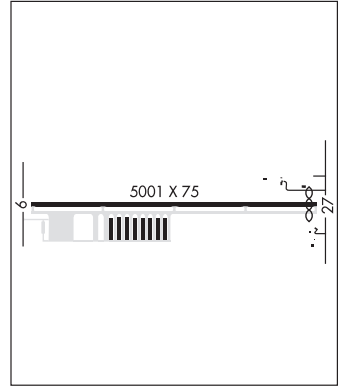


MONEE**BULT FLD** (C56) 3 SE UTC-6(-5DT) N41°22.65' W87°40.79'

790 NOTAM FILE IKK

AIRPORT 09-27: H5001X75 (CONC) S-60 LIRL 0.4% up W**RWY 09:** Tree.**RWY 27:** Thld dsplcd 151'.**SERVICE:** FUEL 100LL, JET A**AIRPORT REMARKS:** Attended 1400-2300Z†. Birds and animals on and invof arpt. 100LL fuel avbl h24 with credit card. Jet A avbl aft hr with prior arrangement. Rwy 27 calm wind rwy.**AIRPORT MANAGER:** (708) 534-8282**WEATHER DATA SOURCES:** AWOS-AV 119.125 (708) 534-5256.**COMMUNICATIONS:** CTAF/UNICOM 123.0

Ⓡ CHICAGO CENTER APP/DEP CON 132.5

CLEARANCE DELIVERY PHONE: For CD ctc Chicago ARTCC at 630-906-8921.**RADIO AIDS TO NAVIGATION:** NOTAM FILE IKK.**PEOTONE (L) VORTACW** 113.2 EON Chan 79 N41°16.18' W87°47.46' 036° 8.2 NM to fld. 689/2E.**CHICAGO**
H-5E, L-28H, A
IAP**MONMOUTH MUNI** (C66) 2 N UTC-6(-5DT) N40°55.78' W90°37.87'

753 B NOTAM FILE IKK

RWY 03-21: H2899X60 (ASPH) S-10 MIRL**RWY 03:** PAPI(P2L)—GA 3.5° TCH 29'. Road.**RWY 21:** PAPI(P2L)—GA 3.0° TCH 21'. Tree.**SERVICE:** FUEL 100LL, MOGAS LGT ACTIVATE PAPI Rwy 03 and Rwy 21; MIRL Rwy 03-21 preset low ints; to incr ints and ACTIVATE—CTAF.**AIRPORT REMARKS:** Attended Tue-Sun 1400-2230Z†. After hrs fuel call 309-255-3455. Rwy 03 seasonal crops in part 77 sfc 200' from rwy end, 61' left.**AIRPORT MANAGER:** 309-734-3411**COMMUNICATIONS:** CTAF/UNICOM 122.8

Ⓡ QUAD CITY APP/DEP CON 133.275 (1130-0430Z†) CLNC DEL 120.7

Ⓡ CHICAGO CENTER APP/DEP CON 135.6 (0430-1130Z†)

CLEARANCE DELIVERY PHONE: For CD ctc Chicago ARTCC at 630-906-8921.**RADIO AIDS TO NAVIGATION:** NOTAM FILE GBG.**GALESBURG (T) VORW/DME** 109.8 GBG Chan 35 N40°56.24' W90°26.07' 264° 9.0 NM to fld. 760/3E.**CHICAGO**
L-27B
IAP