

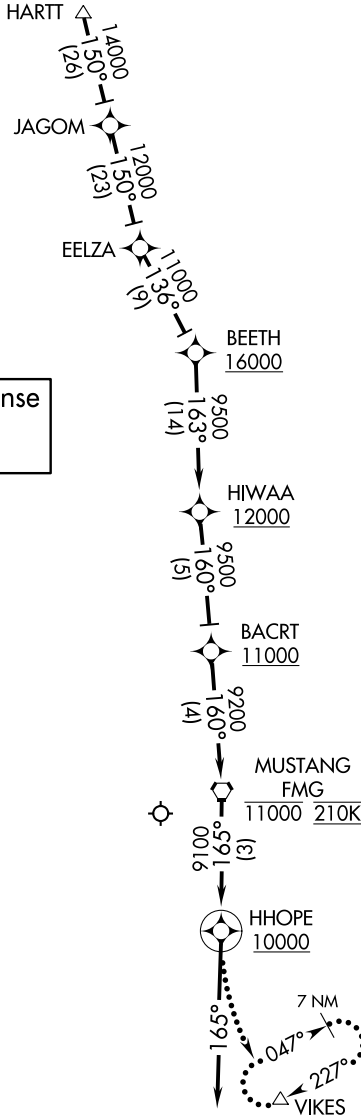
(HARTT.EELZA2) 21168

EELZA TWO ARRIVAL (RNAV)

AL-346 (FAA)

RENO/TAHOE INTL
RENO, NEVADA

NORCAL APP CON
126.3 353.9
D-ATIS
135.8 363.0
RENO TOWER
118.7 257.8



**CAUTION: Intense
Glider Activity
to FL180.**

SW-4, 15 JUL 2021 to 12 AUG 2021

SW-4, 15 JUL 2021 to 12 AUG 2021

- NOTE: RADAR required.
- NOTE: GPS required.
- NOTE: RNAV 1.

NOTE: Chart not to scale.

ARRIVAL ROUTE DESCRIPTION

From HARTT on track 150° to JAGOM, then on track 150° to EELZA, then on track 136° to BEETH, then on track 163° to HIWAA, then on track 160° to BACRT, then on track 160° to FMG VORTAC, then on track 165° to cross HHOPE at or above 10000, then on heading 165°. Rwy 34L/34R expect RADAR vectors to final approach course.

LOST COMMUNICATIONS

At HHOPE, climbing left turn to 12000 direct VIKES and hold.

EELZA TWO ARRIVAL (RNAV)

(HARTT.EELZA2) 20OCT11

RENO, NEVADA
RENO/TAHOE INTL