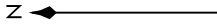
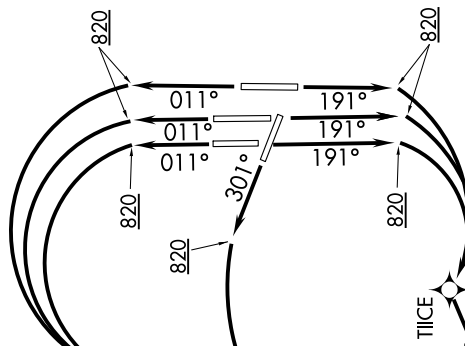
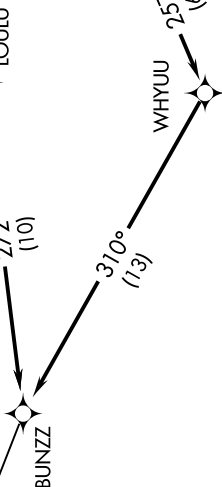


BUNZZ THREE DEPARTURE (RNAV)

NE-3, 15 JUL 2021 to 12 AUG 2021

**TOP ALTITUDE:
3000**

- D-ATIS 134.85
- CINC DEL 135.7 317.8
- CPDLC
- GND CON
- 121.9 317.8 (EAST)
- 121.625 348.6 (WEST)
- DULLES TOWER
- 120.1 317.8 (Rwy 1R/19L)
- 120.25 348.6 (Rwy 1C/19C)
- 134.425 348.6 (Rwys 1L/19R, 12/30)
- POTOMAC DEP CON
- 126.65



- NOTE: DME/DME/IRU or GPS required.
- NOTE: RNAV 1.
- NOTE: Turbojets only.
- NOTE: Radar required.
- NOTE: Aircraft may be Radar vectored to LOULU, TIICE, WHYUU, BUNZZ, or RAMAY.

DEPARTURE ROUTE DESCRIPTION

TAKEOFF RUNWAYS 1C/1L/1R: Climb heading 011° to 820, then left turn direct LOULU (or heading assigned by ATC), then on depicted course to BUNZZ, thence. . .

TAKEOFF RUNWAYS 19C/19R/19L: Climb heading 191° to 820, then right turn direct TIICE (or heading assigned by ATC), then on depicted course to BUNZZ, thence. . .

TAKEOFF RUNWAY 30: Climb heading 301° to 820, then left turn direct LOULU (or heading assigned by ATC), then on depicted course to BUNZZ, thence. . .

. . . Maintain 3000. Expect clearance to filed altitude within ten (10) minutes after departure.

RAMAY TRANSITION (BUNZZ3.RAMAY)

TAKEOFF MINIMUMS:

Rwy 12: NA-ATC.
Rwy 1C, 1L, 1R, 19C, 19L, 19R, 30:
Standard with minimum climb of 500'
per NM to 820.

NOTE: Chart not to scale.