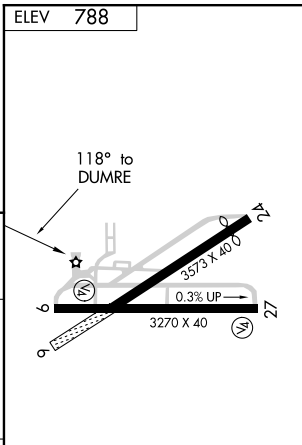
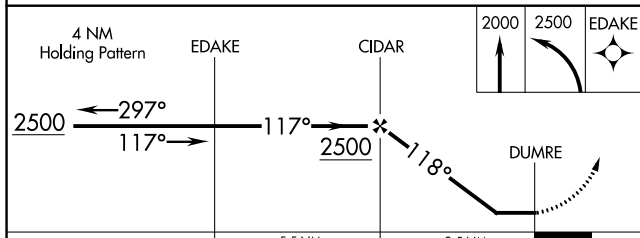
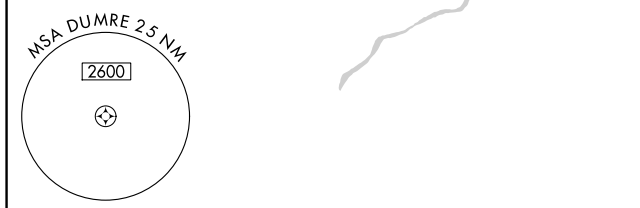
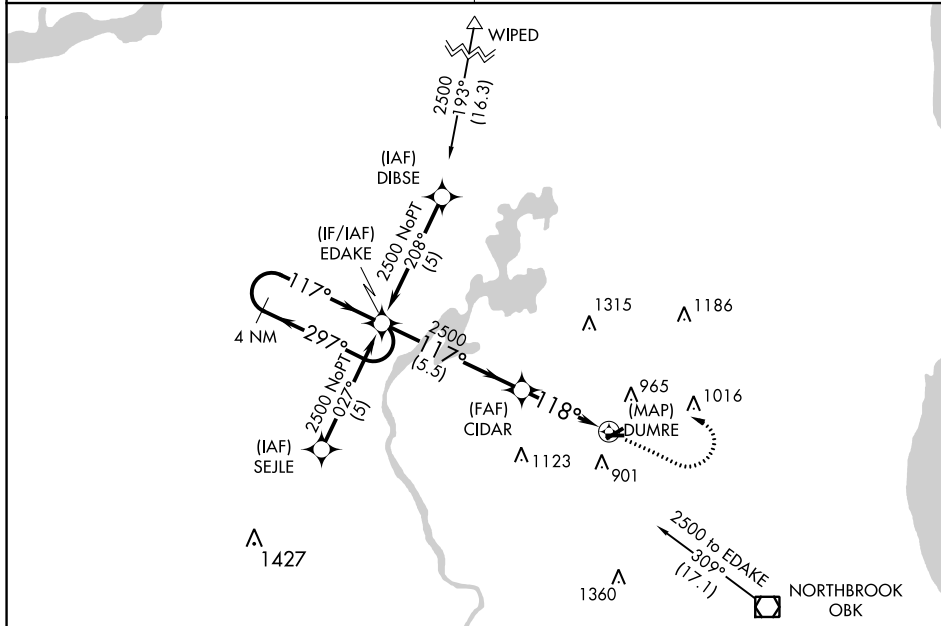


APP CRS	Rwy Idg	N/A
118°	TDZE	N/A
	Apt Elev	788

RNAV (GPS)-B

CAMPBELL (C81)

<p>NA</p> <p>Use Chicago O'Hare altimeter setting. GPS or RNP-0.3 required. DME/DME RNP-0.3 NA.</p>	<p>MISSED APPROACH: Climb to 2000, then climbing left turn to 2500 direct EDAKE WP and hold.</p>
<p>CHICAGO APP CON</p> <p>120.55 306.925</p>	<p>UNICOM</p> <p>122.7 (CTAF)</p>



CATEGORY	A	B	C	D
CIRCLING	1400-1	612 (700-1)	1400-1¾ 612 (700-1¾)	NA

EC-3, 15 JUL 2021 to 12 AUG 2021

EC-3, 15 JUL 2021 to 12 AUG 2021