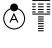


WAAS CH 40401 W35A	APP CRS 356°	Rwy Idg 8500 TDZE 575 Apt Elev 607
--	------------------------	---

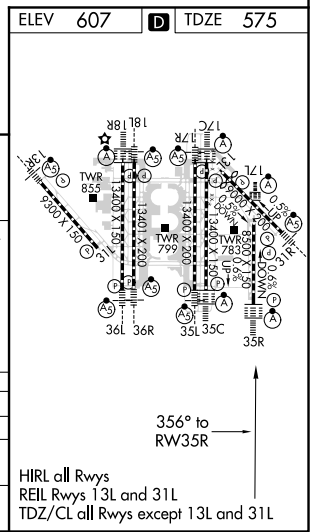
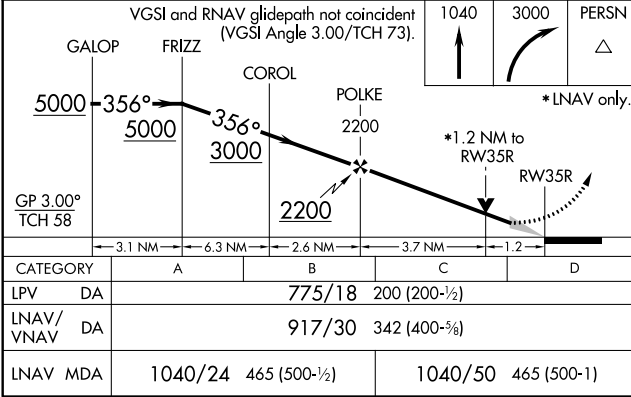
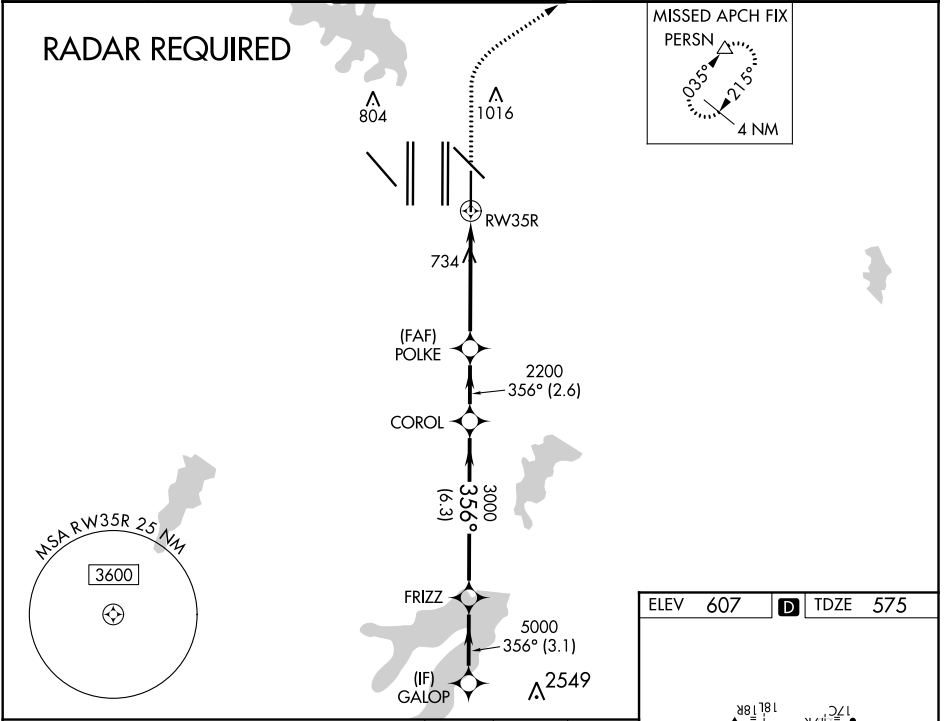
RNAV (GPS) RWY 35R

DALLAS-FORT WORTH INTL (DFW)

▽ For uncompensated Baro-VNAV systems, LNAV/VNAV NA below -4°C (25°F) or above 54°C (130°F). For inop ALSF, increase LNAV/VNAV all Cats visibility to RVR 6000, increase LNAV Cat C/D visibility to 1 $\frac{3}{8}$ mile. Simultaneous approach authorized with Rwy 35 L/C and 36L/R. DME/DME RNP-0.3 NA. LNAV procedure NA during simultaneous operations. Use of FD or AP providing RNAV track guidance required during simultaneous operations.

ALSF-2

MISSED APPROACH:
Climb to 1040 then climbing right turn to 3000 direct PERSN and hold.

D-ATIS ARR 123.775 DEP 135.925	REGIONAL APP CON 119.4	DFW TOWER 126.55 127.5 EAST 124.15 134.9 WEST	GND CON 121.65 121.8 EAST 121.85 WEST	CLNC DEL 128.25	CPDLC
--	----------------------------------	--	---	---------------------------	-------



SC-2, 15 JUL 2021 to 12 AUG 2021

SC-2, 15 JUL 2021 to 12 AUG 2021