

WAAS CH 49019 W 18A	APP CRS 184°	Rwy Idg 5013 TDZE 44 Apt Elev 44
---	------------------------	---

RNAV (GPS) RWY 18

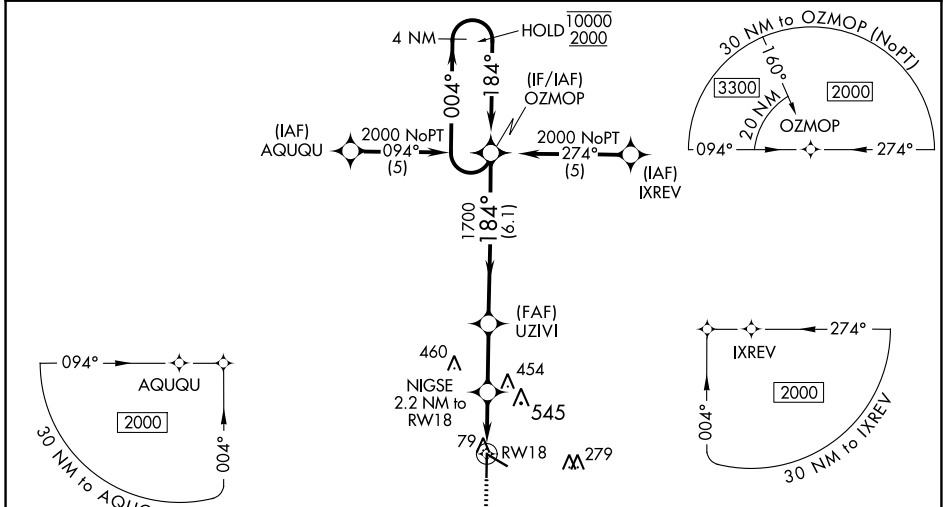
PERRY-FOLEY (F'PY)

RNP APCH.

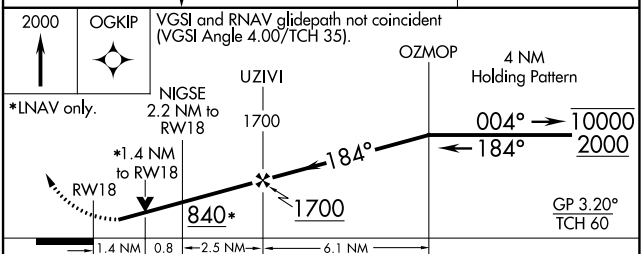
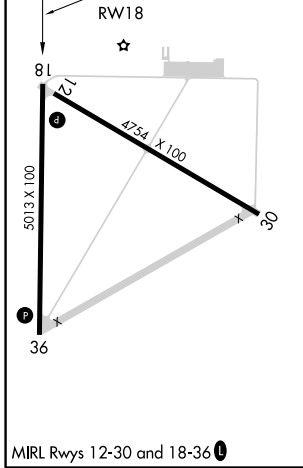
Circling to Rwy 36, 12 NA at night.
 Rwy 18 helicopter visibility reduction below 3/4 SM NA.
 For uncompensated Baro-VNAV systems, LNAV/VNAV NA below -15°C or above 54°C.

MISSED APPROACH: Climb to 2000 direct OGTKIP and hold.

AWOS-3PT 118.375	JACKSONVILLE CENTER 127.8 352.0	UNICOM 122.8 (CTAF)
----------------------------	---	-------------------------------



ELEV 44	TDZE 44
----------------	----------------



CATEGORY	A	B	C	D
LPV DA		356-1	312 (400-1)	NA
LNAV/VNAV DA		977-3	933 (1000-3)	NA
LNAV MDA	660-1	616 (700-1)	660-1 3/4 616 (700-1 3/4)	660-2 616 (700-2)
CIRCLING	660-1	616 (700-1)	660-1 3/4 616 (700-1 3/4)	860-2 3/4 816 (900-2 3/4)

SE-3, 15 JUL 2021 to 12 AUG 2021

SE-3, 15 JUL 2021 to 12 AUG 2021