

## WILLIAMSON/SODUS

**WILLIAMSON-SODUS** (SDC)(KSDC) 3 W UTC-5(-4DT) N43°14.08' W77°07.17'

424 B TPA-1400(976) NOTAM FILE BUF

**RWY 10-28:** H3803X60 (ASPH) S-12 MIRL

**RWY 10:** REIL. PAPI(P2L)—GA 3.0° TCH 40'. Tree.

**RWY 28:** REIL. PAPI(P2R)—GA 3.2° TCH 42'. Tree.

**SERVICE:** S4 FUEL 100LL LGT ACTIVATE REIL Rwy 10 and Rwy 28;  
MIRL Rwy 10-28—CTAF.

**AIRPORT REMARKS:** Attended Mon-Fri 1330-2200Z†. Credit card fuel avbl  
24 hrs. Geese and deer on and in/ovf arpt.

**AIRPORT MANAGER:** 315-483-6011

**WEATHER DATA SOURCES:** AWOS-3 124.2 (315) 483-6171.

**COMMUNICATIONS:** CTAF/UNICOM 122.8

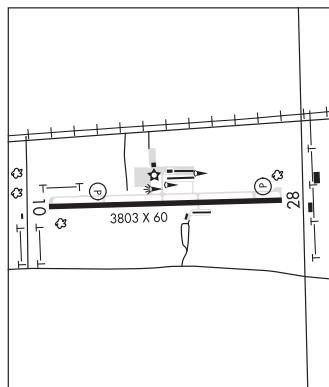
® **ROCHESTER APP/DEP CON** 119.55

**CLEARANCE DELIVERY PHONE:** For CD ctc Cleveland ARTCC at  
440-774-0490.

**RADIO AIDS TO NAVIGATION:** NOTAM FILE ROC.

**ROCHESTER (L) VOR/DME** 110.0 ROC Chan 37 N43°07.08'  
W77°40.37' 086° 25.3 NM to fld. 545/12W.

**DETROIT**  
L-31E, 32F  
IAP



**WURTSBORO-SULLIVAN CO** (N82) 2 NE UTC-5(-4DT) N41°35.83' W74°27.50'

548 NOTAM FILE ISP

**RWY 05-23:** H3591X60 (ASPH) S-30 0.3% up SW

**RWY 05:** Thld dsplcd 233'. Pole.

**RWY 23:** Trees.

**RWY 14-32:** 2092X120 (TURF) 0.6% up NW

**RWY 14:** Hill.

**RWY 32:** Trees.

**RWY 18-36:** 1250X150 (TURF) 0.3% up N

**RWY 18:** Hill.

**RWY 36:** Trees.

**RWY 09-27:** 1101X110 (TURF) 0.7% up W

**RWY 09:** Trees.

**RWY 27:** Trees.

**SERVICE:** FUEL 100LL

**AIRPORT REMARKS:** Attended 1400-2200Z†. Winter months attended till  
dusk. Extensive glider activity. Deer on and in vicinity of arpt. Twr  
elevation 1690' MSL 250' AGL, located 9000' NE thld apch Rwy 23.

**AIRPORT MANAGER:** (845) 888-2791

**COMMUNICATIONS:** CTAF/UNICOM 122.8

® **NEW YORK APP/DEP CON** 132.75

**CLEARANCE DELIVERY PHONE:** For CD ctc New York Apch at 516-683-2448

**RADIO AIDS TO NAVIGATION:** NOTAM FILE ISP.

**KINGSTON (L) VOR/DME** 117.6 IGN Chan 123 N41°39.93' W73°49.33' 274° 28.9 NM to fld. 582/12W.

VOR portion unusable:

045°-050° byd 35 NM blo 4,300'

070°-140° byd 30 NM blo 3,400'

**NEW YORK**  
L-33A, 34H  
IAP

