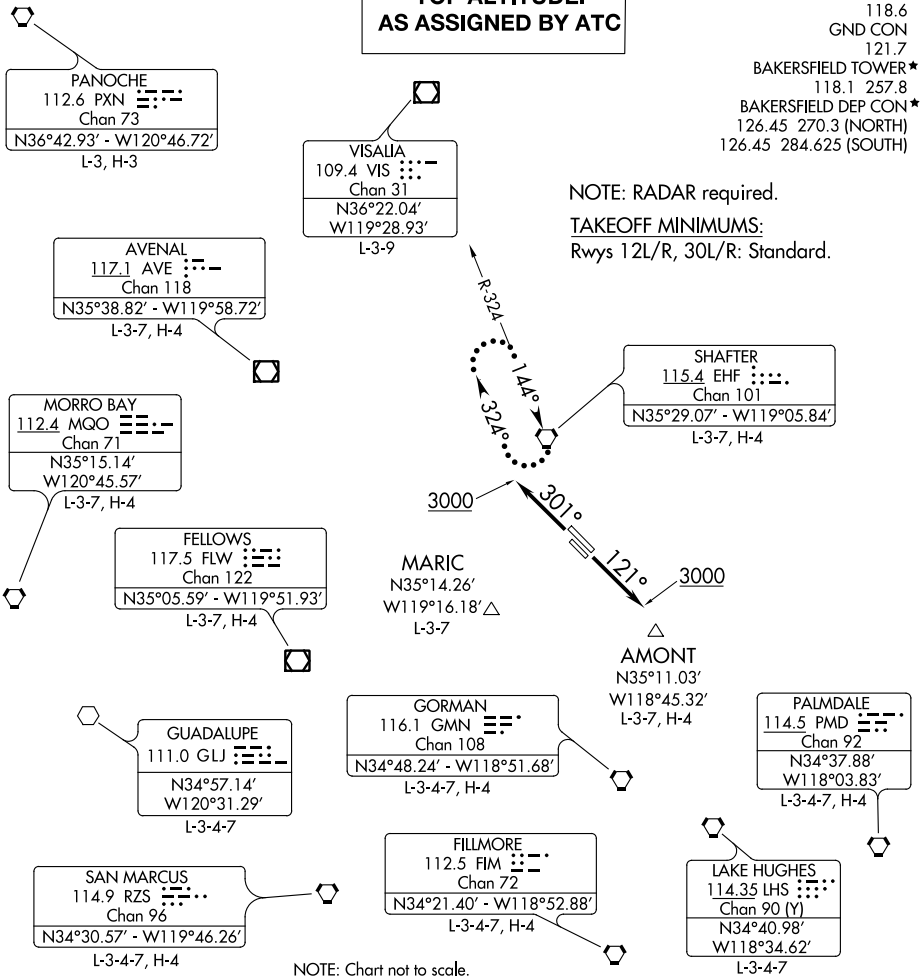


**TOP ALTITUDE:
AS ASSIGNED BY ATC**

ATIS
118.6
GND CON
121.7
BAKERSFIELD TOWER*
118.1 257.8
BAKERSFIELD DEP CON*
126.45 270.3 (NORTH)
126.45 284.625 (SOUTH)

NOTE: RADAR required.
TAKEOFF MINIMUMS:
Rwys 12L/R, 30L/R: Standard.



SW-3, 09 SEP 2021 to 07 OCT 2021

SW-3, 09 SEP 2021 to 07 OCT 2021

DEPARTURE ROUTE DESCRIPTION

TAKEOFF RUNWAYS 12L/R: Climb heading 121° to 3000 for vector to assigned route/fix. Thence. . . .

TAKEOFF RUNWAYS 30L/R: Climb heading 301° to 3000 for vector to assigned route/fix. Thence. . . .

. . . .Thence, maintain ATC assigned altitude. Expect clearance to requested altitude five minutes after departure.

LOST COMMUNICATIONS: If no radio contact for two minutes, proceed direct SHAFTER VORTAC and hold. Climb in holding pattern to expected altitude prior to proceeding on course.