



WAAS CH <b>86902</b> <b>W24A</b>	APP CRS <b>241°</b>	Rwy Idg TDZE Apt Elev	<b>5000</b> <b>16</b> <b>18</b>
--	------------------------	-----------------------------	---------------------------------------

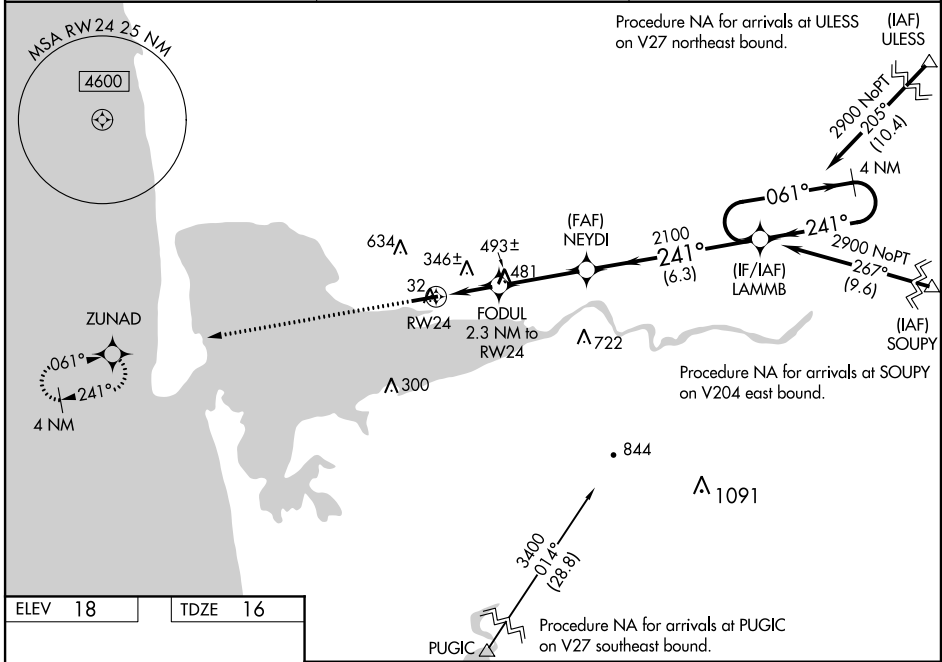
# RNAV (GPS) RWY 24

BOWERMAN (HQM)

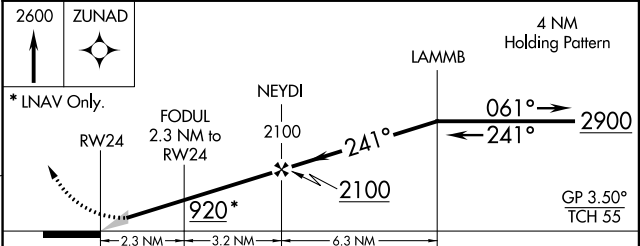
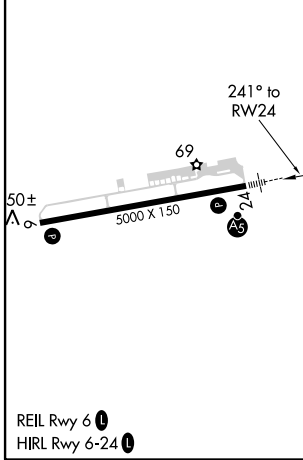
**⚠** For uncompensated Baro-VNAV systems, LNAV/VNAV NA below -6°C (22°F) or above 43°C (109°F). When local altimeter setting not received, procedure NA. Circling NA northwest of Rwy 6-24. DME/DME RNP-0.3 NA. For inoperative MALSR, increase LPV Cat C visibility to ¾ mile and LNAV Cat C visibility to 2½ miles.

**MALSR**  
 MISSED APPROACH: Climb to 2600 direct ZUNAD and hold.

ASOS <b>135.775</b>	SEATTLE CENTER <b>128.3 269.0</b>	UNICOM <b>122.7 (CTAF)</b> 
------------------------	--------------------------------------	---



ELEV 18	TDZE 16
---------	---------



CATEGORY	A	B	C	D
LPV DA	226-½	210 (300-½)	286-½ 270 (300-½)	NA
LNAV/VNAV DA	676-1½ 660 (700-1½)			NA
LNAV MDA	800-½ 784 (800-½)	800-¾ 784 (800-¾)	800-1¾ 784 (800-1¾)	NA
CIRCLING	800-1 782 (800-1)	800-1¼ 782 (800-1¼)	800-2½ 782 (800-2½)	NA

NW-1, 09 SEP 2021 to 07 OCT 2021

NW-1, 09 SEP 2021 to 07 OCT 2021