

| | |
|------------------------|------------------------|
| APP CRS 276° | Rwy Idg 4298 |
| | TDZE 813 |
| | Apt Elev 818 |

RNAV (GPS) RWY 27

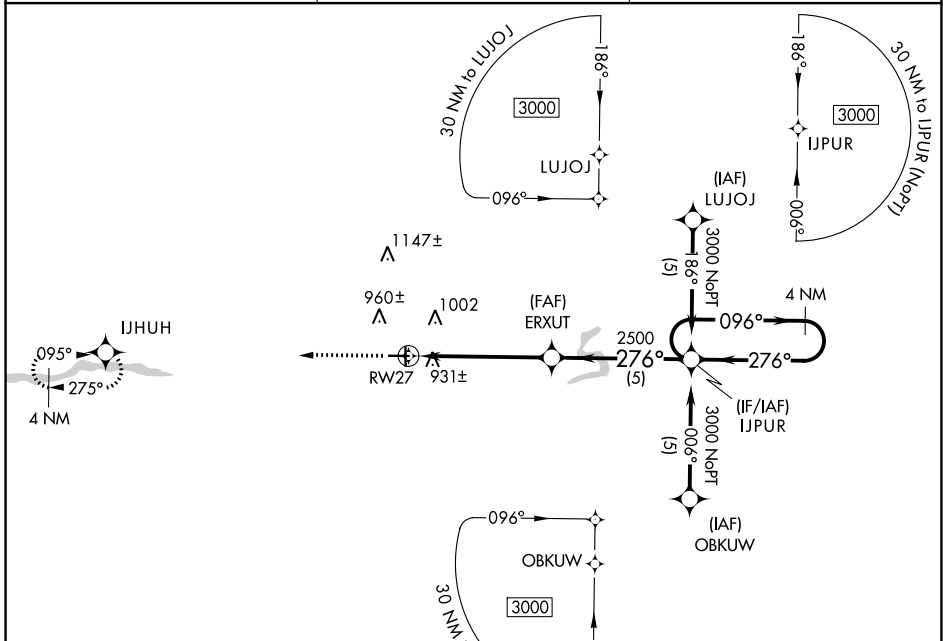
IONIA COUNTY (Y70)

RNP APCH.

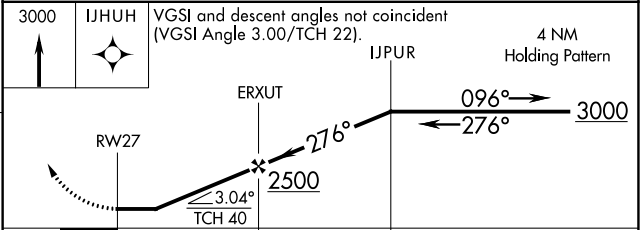
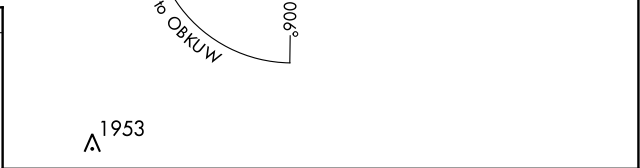
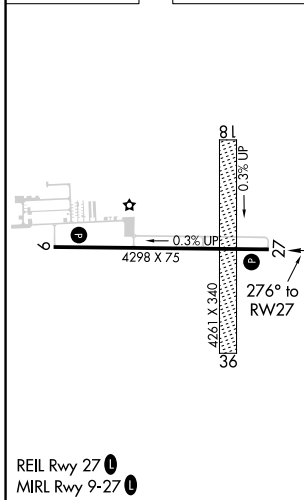
▼ Rwy 27 helicopter visibility reduction below 1 SM NA.
▲ NA Circling NA to Rws 18 and 36.

MISSED APPROACH: Climb to 3000
 direct IJHUH WP and hold.

| | | |
|------------------------|--|-------------------------------|
| AWOS-3 118.9 | GREAT LAKES APP CON 118.65 226.4 | UNICOM 122.8 (CTAF) |
|------------------------|--|-------------------------------|



| | |
|----------|----------|
| ELEV 818 | TDZE 813 |
|----------|----------|



| CATEGORY | A | B | C | D |
|----------|----------|-------------|--|----|
| LNAV MDA | 1260 - 1 | 447 (500-1) | 1260-1 $\frac{3}{8}$ 447 (500-1 $\frac{3}{8}$) | NA |
| CIRCLING | 1380 - 1 | 562 (600-1) | 1380-1 $\frac{1}{2}$ 562 (600-1 $\frac{1}{2}$) | NA |

EC-1, 09 SEP 2021 to 07 OCT 2021

EC-1, 09 SEP 2021 to 07 OCT 2021