

WAAS CH 50327 W27A	APP CRS 268°	Rwy Idg TDZE Apt Elev	4095 1015 1021
--	------------------------	-----------------------------	---

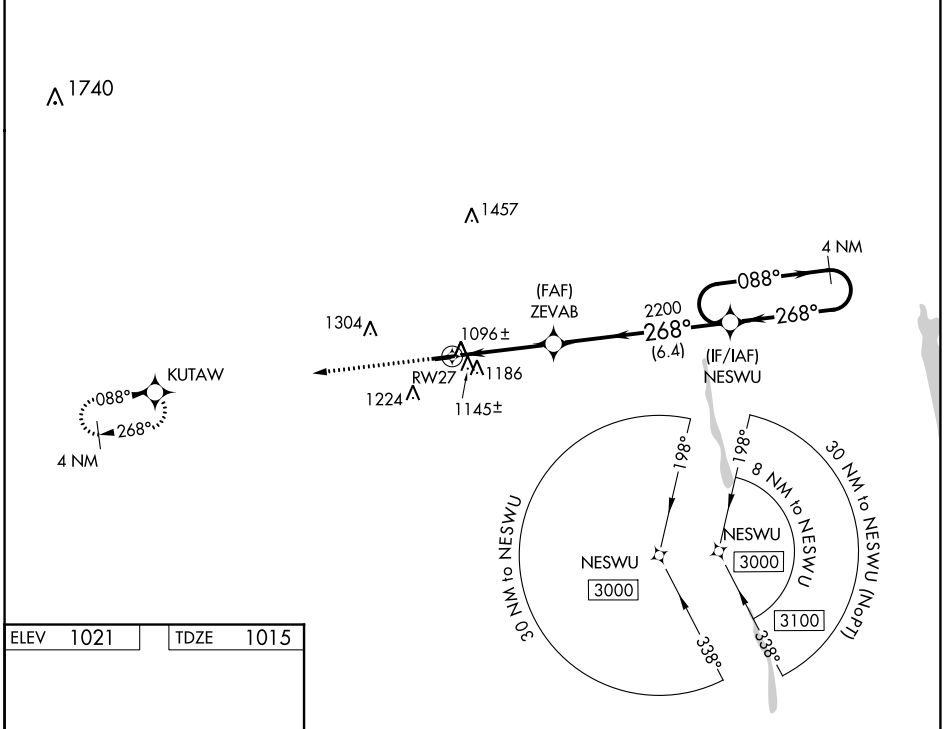
RNAV (GPS) RWY 27

UNION COUNTY (MRT)

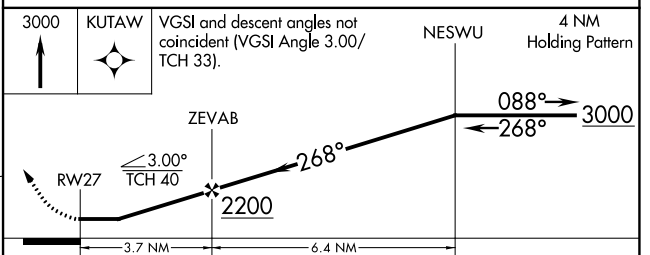
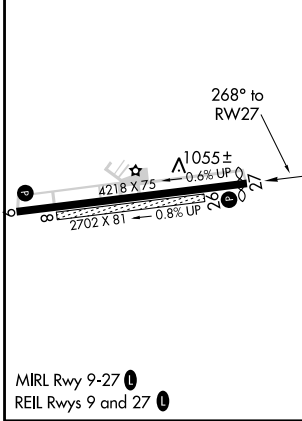
⚠ Night landing: Rwy 27 NA. DME/DME RNP-0.3 NA. Helicopter visibility reduction below 1 SM NA. When local altimeter setting not received, use John Glenn Columbus Intl altimeter setting and increase all MDA 100 feet, LP and LNAV Cat C and D visibility to 1 3/8 miles and Circling Cat C visibility to 1 3/4 miles.

MISSED APPROACH: Climb to 3000 direct KUTAW and hold.

AWOS-3 119.275	COLUMBUS APP CON 125.95 317.775	UNICOM 122.8 (CTAF)
--------------------------	---	-------------------------------



ELEV 1021	TDZE 1015
-----------	-----------



CATEGORY	A	B	C	D
LP MDA	1360-1		345 (400-1)	
LNAV MDA	1400-1	385 (400-1)	1400-1 1/8	385 (400-1 1/8)
CIRCLING	1520-1 499 (500-1)	1540-1 519 (600-1)	1540-1 1/2 519 (600-1 1/2)	1580-2 559 (600-2)

EC-2, 09 SEP 2021 to 07 OCT 2021

EC-2, 09 SEP 2021 to 07 OCT 2021