

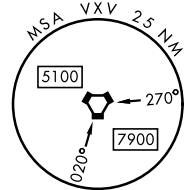
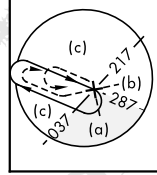
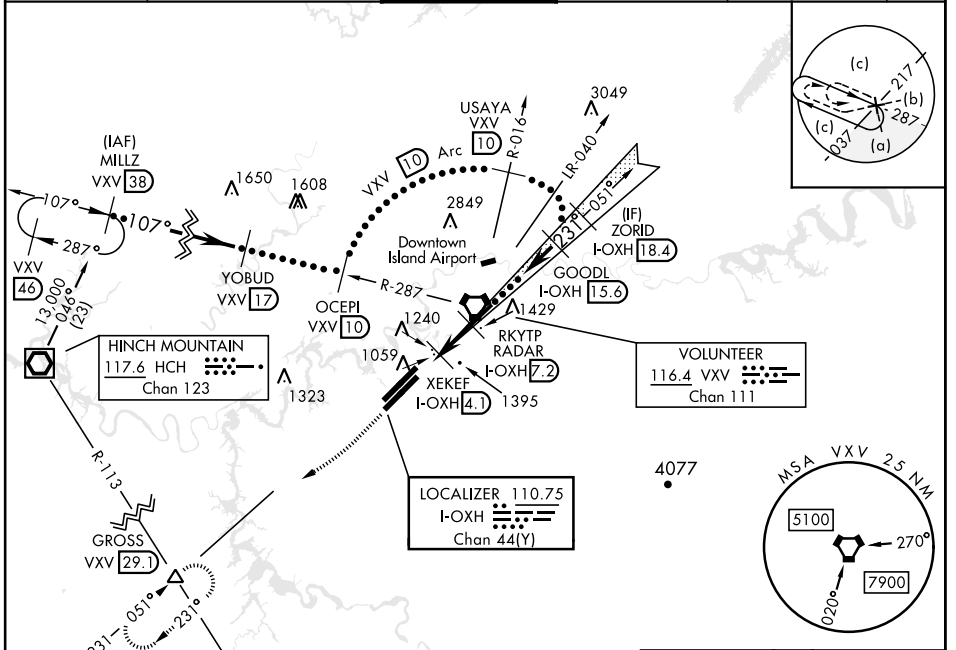
HI-ILS or LOC RWY 23L

LOC/DME I- OXH 110.75 Chan 44(Y)	APCH CRS 231°	Rwy ldg 8600 TDZE 965 Arpt Elev 986	AL-218 [USAF]	KNOXVILLE/ McGHEE TYSON (KTYS)
---	----------------------	--	---------------	--------------------------------

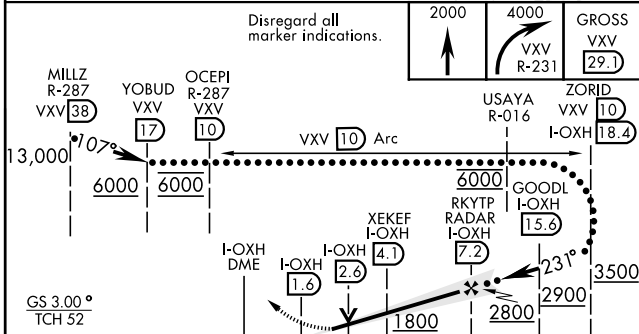
DME or RADAR required.

MISSED APPROACH: Climb to 2000, then climbing right turn to 4000 on heading 240° VXV R-231 direct GROSS Int/29.1 DME and hold.

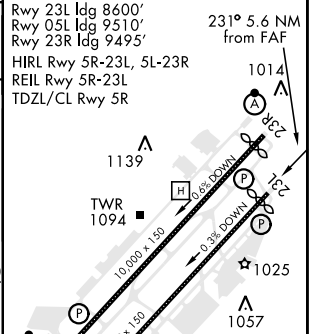
ATIS 128.35	KNOXVILLE APP CON 123.9 360.8	KNOXVILLE TOWER 121.2 257.8	GND CON 121.9 348.6	CLNC DEL 121.65	ASR
-----------------------	---	---------------------------------------	-------------------------------	---------------------------	-----



EMERG SAFE ALT 100 NM 8900



ELEV 986	TDZE 965
----------	----------



CATEGORY	C	D	E
S-ILS 23L	1165-40	200 (200-¾)	
S-LOC 23L	1320-55	355 (400-1¼)	
C CIRCLING	1660-2 679 (700-2)	1900-3 919 (1000-3)	

HI-ILS or LOC RWY 23L

SE-1, 07 OCT 2021 to 04 NOV 2021

SE-1, 07 OCT 2021 to 04 NOV 2021