

(ROCKY1.ROCKY) 21224

ROCKY ONE DEPARTURE

AL-5438 (FAA)

INDIANAPOLIS EXEC (TYQ)

INDIANAPOLIS, INDIANA

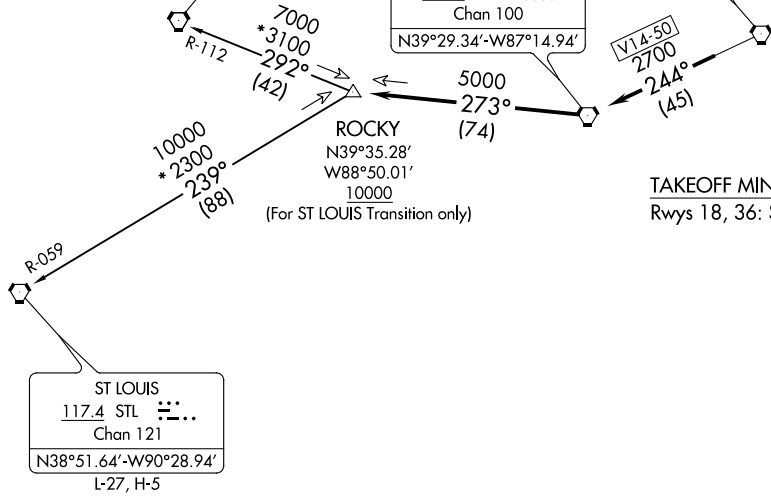
AWOS-3PT
120.725
INDIANAPOLIS DEP CON
124.65 127.15 317.8

**TOP ALTITUDE:
ASSIGNED BY ATC**

SPINNER
112.7 SPI $\cdot\cdot\cdot\cdot$
Chan 74
N39°50.38'-W89°40.66'
L-27, H-5

TERRE HAUTE
115.3 TTH $\cdot\cdot\cdot$
Chan 100
N39°29.34'-W87°14.94'

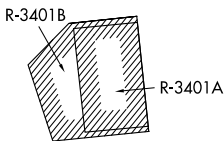
BRICKYARD
116.3 VHP $\cdot\cdot\cdot\cdot$
Chan 110



ROCKY
N39°35.28'
W88°50.01'
10000
(For ST LOUIS Transition only)

TAKEOFF MINIMUMS
Rwys 18, 36: Standard.

ST LOUIS
117.4 STL $\cdot\cdot\cdot\cdot$
Chan 121
N38°51.64'-W90°28.94'
L-27, H-5



- NOTE: RADAR required.
- NOTE: Select appropriate localizer/DME frequency/channel prior to departure.
- NOTE: Turbojets accelerate to 250K until reaching 10000, if unable advise ATC.
- NOTE: Assigned to aircraft with a requested altitude of 11000 or above.

NOTE: Chart not to scale.

DEPARTURE ROUTE DESCRIPTION

DEPARTING ALL OTHER AUTHORIZED RUNWAYS: Climb on assigned heading to assigned altitude. Thence

. . . . expect RADAR vectors to join VHP R-244 to TTH VORTAC, then via TTH R-273 to ROCKY INT then via transition or assigned route. Expect clearance to requested altitude ten minutes after departure.

SPINNER TRANSITION (ROCKY1.SPI): From over ROCKY INT on SPI R-112 to SPI VORTAC.
ST LOUIS TRANSITION (ROCKY1.STL): From over ROCKY INT on STL R-059 to STL VORTAC.

ROCKY ONE DEPARTURE
(ROCKY1.ROCKY) 01FEB18

INDIANAPOLIS, INDIANA
INDIANAPOLIS EXEC (TYQ)

EC-2, 07 OCT 2021 to 04 NOV 2021

EC-2, 07 OCT 2021 to 04 NOV 2021