

WAAS CH 87031 W27A	APP CRS 240°	Rwy Idg TDZE Apt Elev	6101 4702 4705
--	------------------------	-----------------------------	---

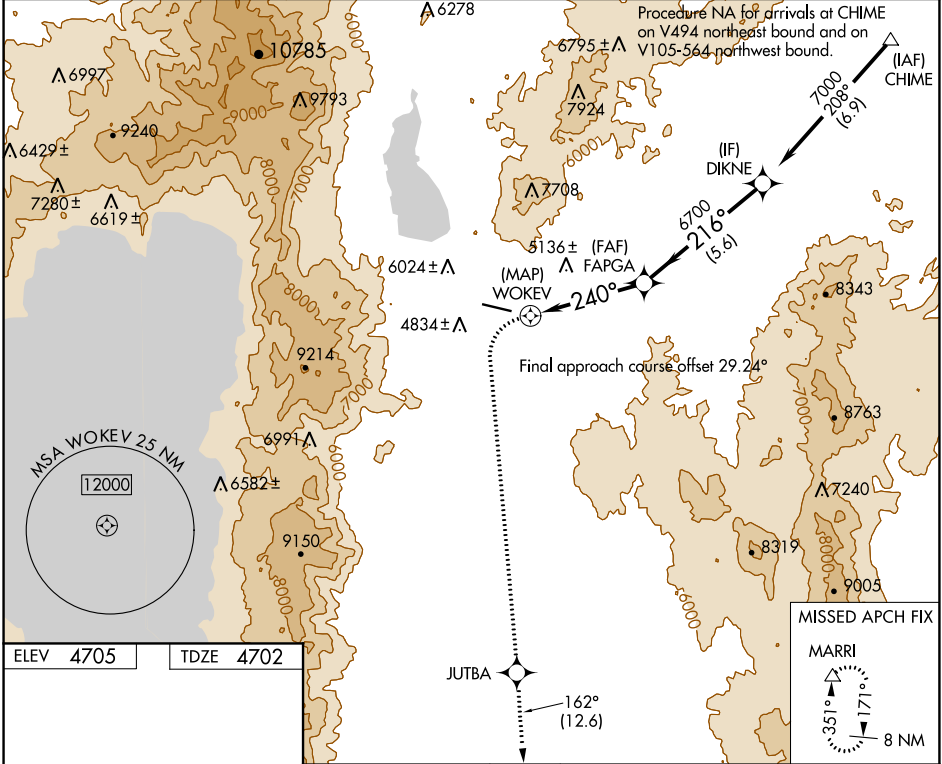
RNAV (GPS) RWY 27

CARSON CITY (CXP)

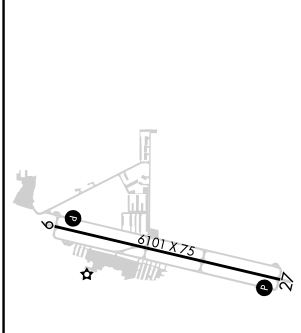
NA DME/DME RNP-0.3 NA. Procedure NA at night. When local altimeter setting not received use Reno/Tahoe altimeter setting and increase all MDA 540 feet. Helicopter visibility reduction below 1 SM not authorized. Circling NA north of Rwy 9-27.

MISSED APPROACH: Climbing left turn to 13400 direct JUTBA and on track 162° to MARRI and hold, continue climb-in-hold to 13400.

AWOS-3PT 119.925	NORCAL APP CON 119.2 279.55	CLNC DEL 133.25	UNICOM 123.0 (CTAF)
----------------------------	---------------------------------------	---------------------------	-------------------------------

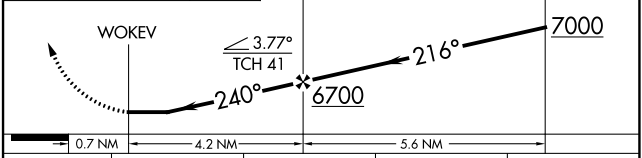


ELEV 4705	TDZE 4702
-----------	-----------



TDZL Rwy 9 and 27	MIRL Rwy 9-27	REIL Rwy 9 and 27
-------------------	---------------	-------------------

13400	JUTBA	tr	MARRI	VGSI and descent angles not coincident (VGSI Angle 3.00/TCH 41).
	162°			DIKNE



CATEGORY	A	B	C	D
LP MDA	5900-1¼ 1198 (1200-1¼)	5900-1½ 1198 (1200-1½)	NA	
LNAV MDA	6180-1¼ 1478 (1500-1¼)	6180-1½ 1478 (1500-1½)	NA	
C CIRCLING	6180-1¼ 1475 (1500-1¼)	6180-1½ 1475 (1500-1½)	NA	

SW-4, 07 OCT 2021 to 04 NOV 2021

SW-4, 07 OCT 2021 to 04 NOV 2021