

APP CRS	Rwy Idg	N/A
342°	TDZE	N/A
	Apt Elev	4705

RNAV (GPS)-A

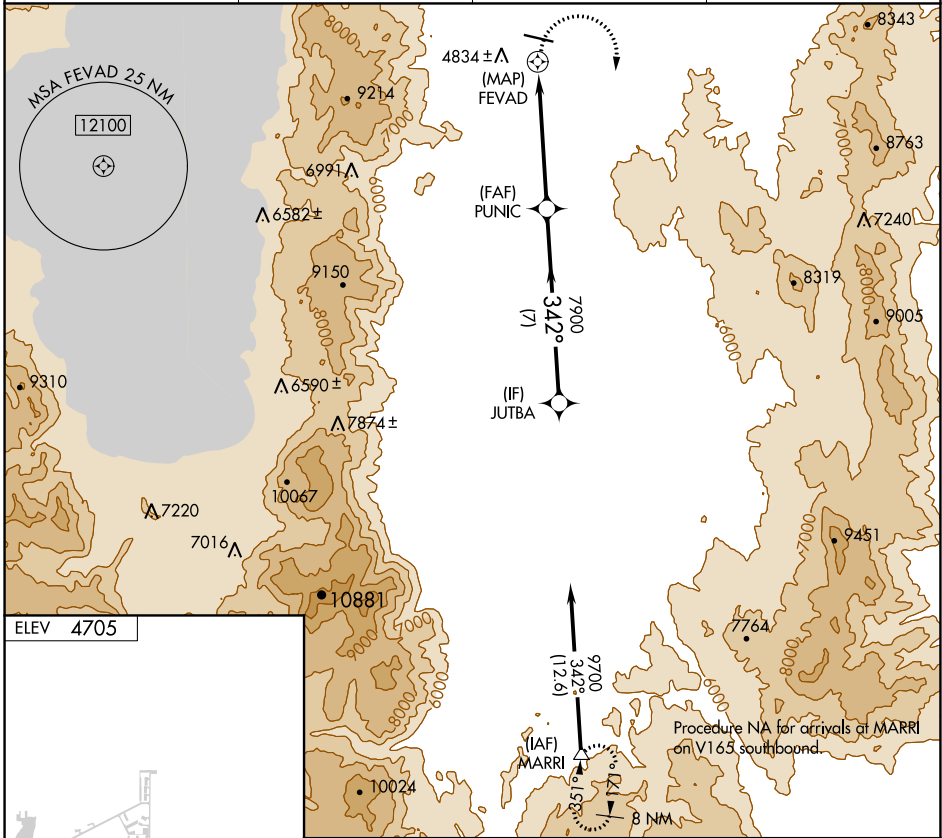
CARSON CITY (CXP)

RNP APCH.

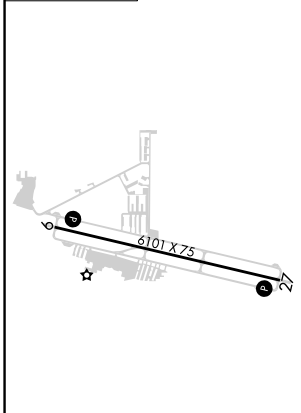
∇ Procedure NA at night. When local altimeter setting not received,
▲ NA use Reno/Tahoe Intl altimeter setting and increase all MDA 540 feet.
 Circling NA north of Rwy 9-27.

MISSED APPROACH: Climbing right turn to 13400 direct MARRI and hold, continue climb-in-hold to 13400.

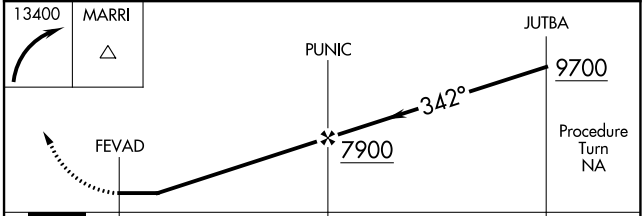
AWOS-3PT 119.925	NORCAL APP CON 119.2 279.55	CLNC DEL 133.25	UNICOM 123.0 (CTAF) 0
----------------------------	---------------------------------------	---------------------------	---------------------------------



ELEV 4705



TDZL Rwy 9 and 27 **0**
 MIRL Rwy 9-27 **0** *
 REIL Rwy 9 and 27 **0**



CATEGORY	A	B	C	D
C CIRCLING	6380-1¼ 1675 (1700-1¼)	6380-1½ 1675 (1700-1½)	6380-3 1675 (1700-3)	7660-3 2955 (3000-3)

SW-4, 07 OCT 2021 to 04 NOV 2021

SW-4, 07 OCT 2021 to 04 NOV 2021