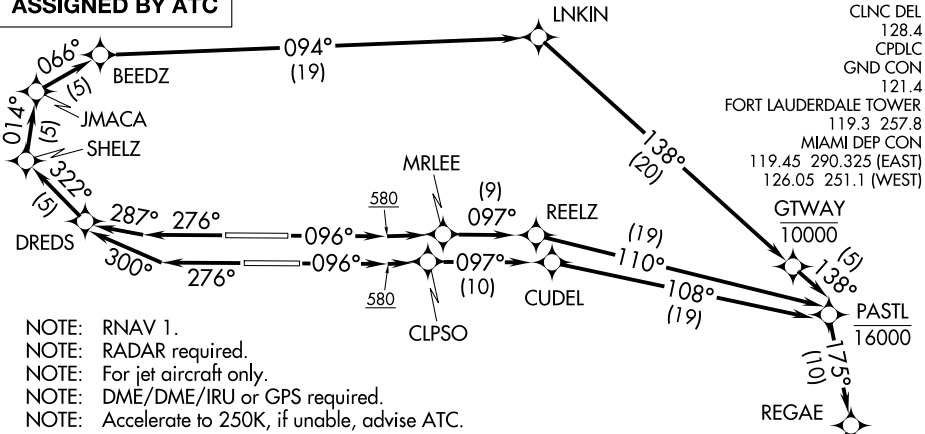


REGAE ONE DEPARTURE (RNAV)

**TOP ALTITUDE:
ASSIGNED BY ATC**



D-ATIS
135.0
CLNC DEL
128.4
CPDLC
GND CON
121.4
FORT LAUDERDALE TOWER
119.3 257.8
MIAMI DEP CON
119.45 290.325 (EAST)
126.05 251.1 (WEST)

TAKEOFF MINIMUMS

Rwys 10L/R, 28L/R: Standard with minimum climb of 500' per NM to 580.

DEPARTURE ROUTE DESCRIPTION

SEE ADDITIONAL REQUIREMENTS ON AAUP

TAKEOFF RUNWAY 10L: Climb on heading 096° to 580, then climb direct MRLEE, then on track 097° to REELZ, then on track 110° to cross PASTL at or below 16000. Thence...

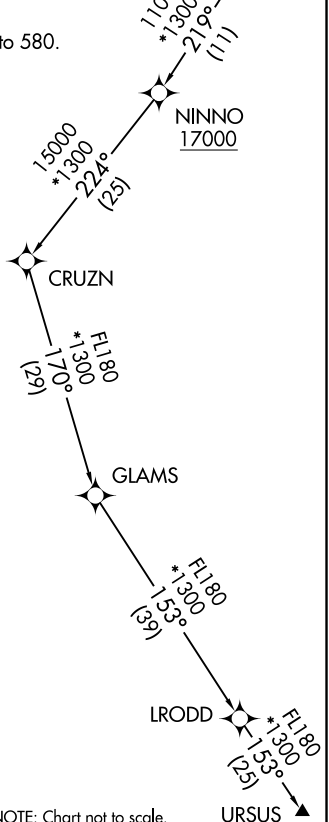
TAKEOFF RUNWAY 10R: Climb on heading 096° to 580, then climb direct CLPSO, then on track 097° to CUDEL, then on track 108° to cross PASTL at or below 16000. Thence...

TAKEOFF RUNWAY 28L: Climb on heading 276° to intercept course 300° to DREDS, then on track 322° to SHELZ, then on track 014° to JMACA, then on track 066° to BEEDZ, then on track 094° to LNKIN, then on track 138° to cross GTWAY at or below 10000, then on track 138° to cross PASTL at or below 16000. Thence...

TAKEOFF RUNWAY 28R: Climb on heading 276° to intercept course 287° to DREDS, then on track 322° to SHELZ, then on track 014° to JMACA, then on track 066° to BEEDZ, then on track 094° to LNKIN, then on track 138° to cross GTWAY at or below 10000, then on track 138° to cross PASTL at or below 16000. Thence...

...on track 175° to REGAE. Maintain ATC assigned altitude. Expect clearance to filed altitude 10 minutes after departure.

URSUS TRANSITION (REGAE1.URSUS)



SE-3, 04 NOV 2021 to 02 DEC 2021

SE-3, 04 NOV 2021 to 02 DEC 2021

REGAE ONE DEPARTURE (RNAV)

(REGAE1.REGAE) 12AUG21