

CLOVERDALE MUNI (O60) 3 SE UTC-8(-7DT) N38°46.58' W122°59.56'

SAN FRANCISCO

276 NOTAM FILE OAK

L-26, 3A

RWY 14-32: H2909X60 (ASPH) S-12 MIRL

IAP

RWY 14: REIL. PAPI(P2L)—GA 3.0° TCH 40'.**RWY 32:** REIL. PAPI(P2L)—GA 3.5° TCH 40'. Brush. Rgt tfc.**SERVICE:** FUEL 100LL LGT ACTIVATE PAPI Rwy 32 and MIRL Rwy 14-32—CTAF.**AIRPORT REMARKS:** Attended 1600-0100Z±. Fuel avbl 24 hrs with credit card. Parachute Jumping.**AIRPORT MANAGER:** 707-894-2150**COMMUNICATIONS:** CTAF/UNICOM 122.8

① OAKLAND CENTER APP/DEP CON 127.8

CLEARANCE DELIVERY PHONE: For CD ctc Oakland ARTCC at 510-745-3380.**RADIO AIDS TO NAVIGATION:** NOTAM FILE STS.**SANTA ROSA (H) DME** 116.15 STS Chan 108(Y) N38°30.49'

W122°48.64' 332° 18.2 NM to fld. 121/OE.

DME unusable:

040°-045° byd 25 NM

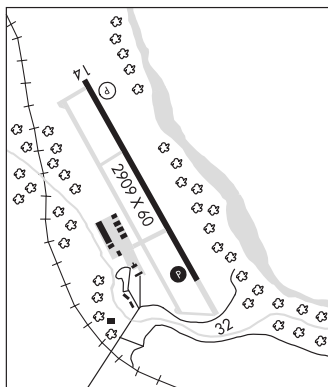
046°-104° byd 25 NM blo 10,000'

207°-212° byd 36 NM blo 10,000'

237°-255° byd 35 NM blo 10,000'

276°-305° byd 35 NM blo 10,000'

350°-039° byd 25 NM blo 10,000'

**CLOVIS** N36°53.06' W119°48.91' NOTAM FILE FAT.

SAN FRANCISCO

(H) TACAN 112.9 CZQ Chan 76 129° 8.0 NM to Fresno Yosemite Intl. 359/15E.

H-3B, L-3C, 9A

COALINGA**HARRIS RANCH** (308) 9 NE UTC-8(-7DT) N36°14.89' W120°14.31'

SAN FRANCISCO

470 NOTAM FILE RIU

RWY 14-32: H2820X30 (ASPH) S-30 LIRL**RWY 14:** Pole. Rgt tfc.**RWY 32:** P-line.**SERVICE:** FUEL 100LL**AIRPORT REMARKS:** Attended 1400-0300Z±. Fuel avbl 24 hours from service station 559-935-0717. Caution electrical P-line 40' AGL 0.3 NM S of arpt. No run-ups on apch end of Rwy 32.**AIRPORT MANAGER:** 559-935-0717**COMMUNICATIONS:** CTAF 122.9**CLEARANCE DELIVERY PHONE:** For CD ctc Oakland ARTCC at 510-745-3380.**NEW COALINGA MUNI** (C80) 3 E UTS-8(-7DT) N36°09.73' W120°17.69'

SAN FRANCISCO

625 B NOTAM FILE RIU

H-4H, L-3C

RWY 12-30: H5000X100 (ASPH) S-30 MIRL 0.5% up NW**RWY 12:** REIL. PAPI(P2L)—GA 3.0° TCH 40'.**RWY 30:** REIL. PAPI(P2L)—GA 3.0° TCH 40'. Rgt tfc.**RWY 01-19:** H2471X60 (ASPH-GRVL) S-12.5**RWY 19:** Rgt tfc.**SERVICE:** FUEL 100LL LGT REIL Rwy 12 and Rwy 30, MIRL Rwy

12-30, Perimeter LGts H1 on dusk -0800Z±, after 0800Z±

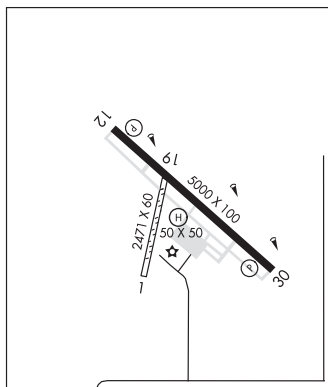
ACTIVATE—CTAF. PAPI Rwys 12 and 30 opr continuously.

AIRPORT REMARKS: Attended irregularly. Rwy 01-19 avbl for daytime use only. Rwy 01-19 restricted by arpt management to acct under 6000 lbs single wheel. Rwy 01-19 surface oil treated. Rwy 01-19 is in poor condition, asphalt-gravel cracked in places with small potholes, rocks and loose gravel. Rwy surface markings are faded.**AIRPORT MANAGER:** 559-935-1533**WEATHER DATA SOURCES:** AWOS-3 119.275 (559) 935-5960.**COMMUNICATIONS:** CTAF/UNICOM 122.7**CLEARANCE DELIVERY PHONE:** For CD ctc Oakland ARTCC at 510-745-3380.**RADIO AIDS TO NAVIGATION:** NOTAM FILE PRB.**PASO ROBLES (L) VORTACW** 114.3 PRB Chan 90 N35°40.35'

W120°37.63' 013° 33.5 NM to fld. 817/16E.

TACAN AZIMUTH & DME unusable:

120°-140° byd 27 NM blo 8,000'



HELIPAD H1: H50X50 (ASPH) PERIMETER LGTS