


LOC/DME I-PHX <b>111.5</b> Chan <b>52</b>	APP CRS <b>078°</b>	Rwy Idg <b>10300</b> TDZE <b>1116</b> Apt Elev <b>1135</b>
---	------------------------	--

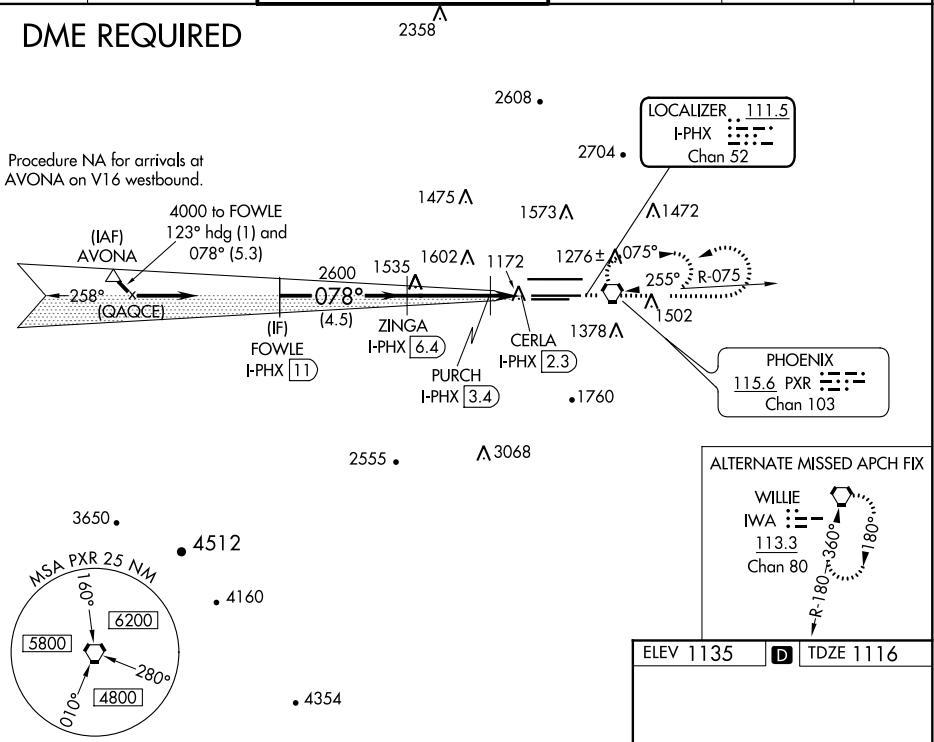
# ILS or LOC/DME RWY 7L

PHOENIX SKY HARBOR INTL (PHX)

D-ATIS <b>127.575</b>	PHOENIX APP CON <b>128.65 353.9</b>	PHOENIX TOWER <b>118.7 278.8</b> (Rwy 8-26) <b>120.9 254.3</b> (Rwy 7L-25R, 7R-25L)	GND CON <b>119.75 269.2</b> (N) <b>132.55 269.2</b> (S)	CLNC DEL <b>118.1 269.2</b>	CPDLC
		<p>For inoperative ALS, increase S-LOC 7L Cats C/D visibility to RVR 5500.</p> <p>MALSR </p> <p>MISSED APPROACH: Climb to 5000 then left turn direct PXR VORTAC and hold.</p>			

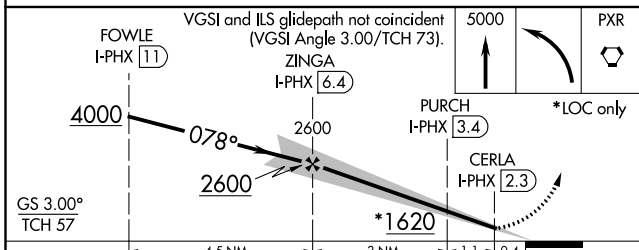
## DME REQUIRED

Procedure NA for arrivals at AVONNA on V16 westbound.

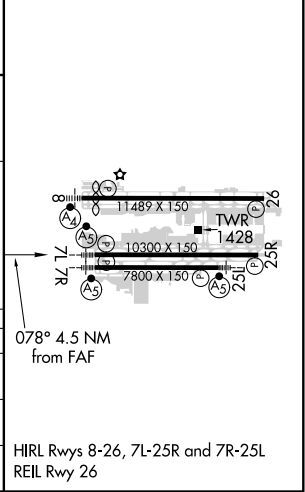


SW-4, 02 DEC 2021 to 30 DEC 2021

SW-4, 02 DEC 2021 to 30 DEC 2021



ELEV 1135	D	TDZE 1116
-----------	---	-----------



CATEGORY	A	B	C	D
S-ILS 7L	1326/24		210 (200-½)	
S-LOC 7L	1460/24	344 (400-½)	1460/30	344 (400-¾)
CIRCLING	1740-1	605 (700-1)	2040-2¾ 905 (1000-2¾)	2560-3 1425 (1500-3)