

APP CRS	Rwy Idg	11489
258°	TDZE	1135
	Apt Elev	1135

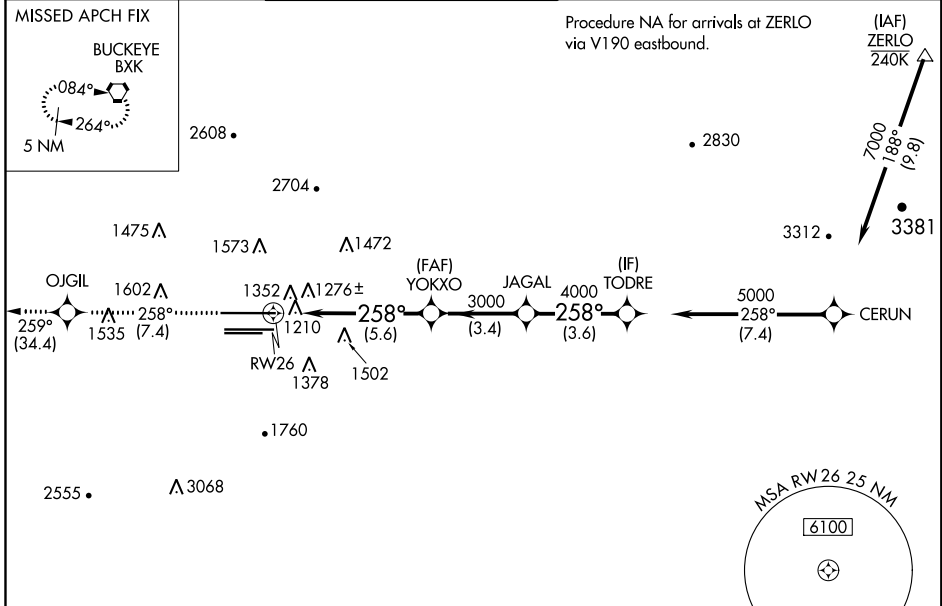
RNAV (RNP) Z RWY 26

PHOENIX SKY HARBOR INTL (PHX)

GPS required. For uncompensated Baro-VNAV systems, procedure NA below 1°C (34°F) or above 46°C (116°F). Simultaneous approach authorized with ILS or LOC Rwy 25L. Used of FD or AP providing RNAV track guidance required during simultaneous operations.

MISSED APPROACH: Climb to 5000 via track 258° to OJGIL and via track 259° to BXX VORTAC and hold.

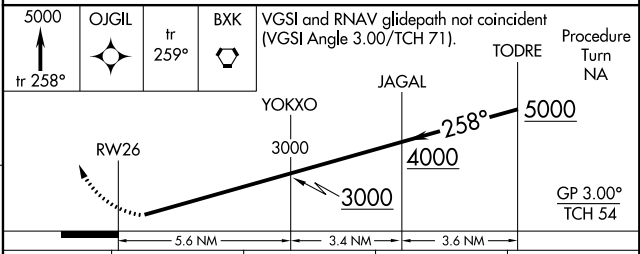
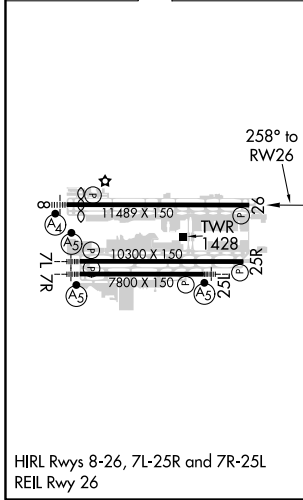
D-ATIS	PHOENIX APP CON	PHOENIX TOWER	GND CON	CLNC DEL	CPDLC
127.575	128.65 353.9	118.7 278.8 (Rwy 8-26) 120.9 254.3 (Rwy 7L-25R, 7R-25L)	119.75 269.2 (N) 132.55 269.2 (S)	118.1 269.2	



SW-4, 02 DEC 2021 to 30 DEC 2021

SW-4, 02 DEC 2021 to 30 DEC 2021

ELEV 1135	D	TDZE 1135
-----------	----------	-----------



CATEGORY	A	B	C	D
RNP 0.11 DA		1490-1¼	355 (400-1¼)	
RNP 0.20 DA		1590-1½	455 (500-1½)	
RNP 0.30 DA		1654-1¾	519 (600-1¾)	

AUTHORIZATION REQUIRED