

FORT LEWIS, WASHINGTON

RNAV (GPS) RWY 33

AL-413 (USA)

GRAY AAF (JOINT BASE LEWIS MCCHORD) (KGRF)

| | | |
|----------|-----------|------|
| APCH CRS | Rwy Idg | 6124 |
| 331° | TDZE | 301 |
| | Arpt Elev | 301 |

* Circling not authorized W of Rwy 15-33.

SSALR MISSED APPROACH: Climb to 2000 direct CIKRI and hold.

| | | | | | |
|--------------|-------------------------|----------------------|-------------|-------------|-----|
| ATIS | SEATTLE APP CON/DEP CON | TOWER * | GND CON | CLNC DEL | PAR |
| 124.65 306.2 | 120.1 290.9 | 119.325 (CTAF) 256.8 | 121.9 290.2 | 121.9 290.2 | |

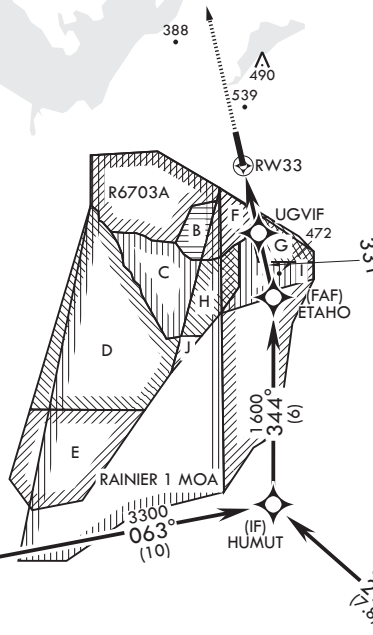
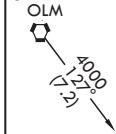
RNP APCH

When local altimeter setting not received, use McChord Fld altimeter setting.

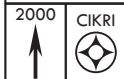
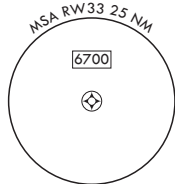
MISSED APPROACH



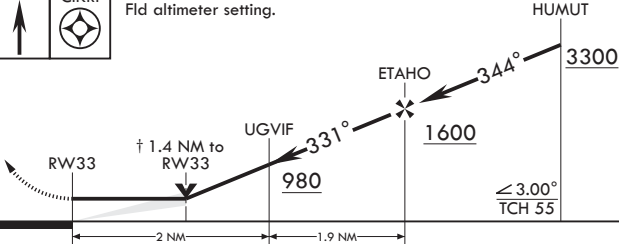
OLYMPIA OLM



Procedure NA for arrivals at ALDER on V204 eastbound and arrivals on OLM VORTAC airway R-095 CW R-201.

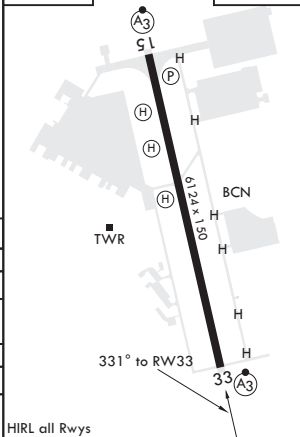


† VDP NA with McChord Fld altimeter setting.



ELEV 301 TDZE 301

| CATEGORY | A | B | C | D |
|---|-------|-------------|------------------------|----------------------|
| LNAV MDA | 800-½ | 499 (500-½) | 800-1 | 499 (500-1) |
| C CIRCLING* | 840-1 | 539 (600-1) | 840-1½ 539 (600-1½) | 920-2 619 (700-2) |
| MC CHORD FLD ALTIMETER SETTING MINIMUMS | | | | |
| LNAV MDA | 820-½ | 519 (600-½) | 820-1 | 519 (600-1) |
| C CIRCLING* | 860-1 | 559 (600-1) | 860-1½ 559 (600-1½) | 940-2 639 (700-2) |



FORT LEWIS, WASHINGTON

47°05'N - 122°35'W GRAY AAF (JOINT BASE LEWIS MCCHORD) (KGRF)

Amdt 2 10OCT19

RNAV (GPS) RWY 33

NW-1, 02 DEC 2021 to 30 DEC 2021

NW-1, 02 DEC 2021 to 30 DEC 2021