

WAAS CH 86607 W35A	APP CRS 353°	Rwy Idg TDZE Apt Elev	5500 1946 1953
---------------------------------	------------------------	-----------------------------	---

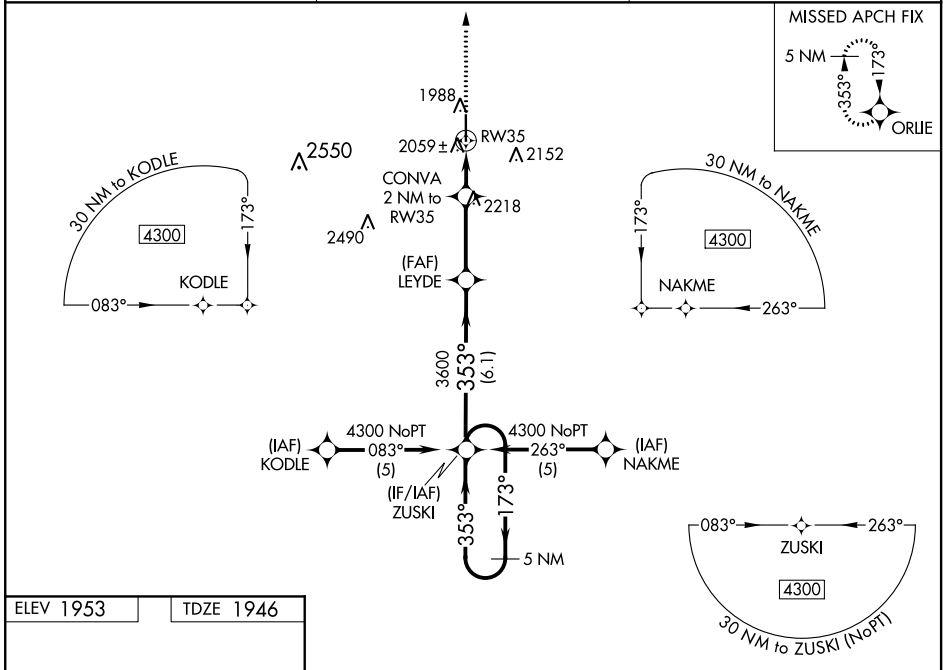
RNAV (GPS) RWY 35

PRATT RGNL (P'TT)

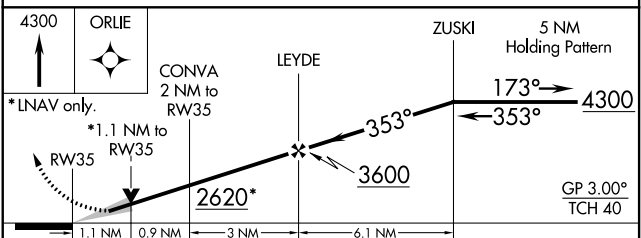
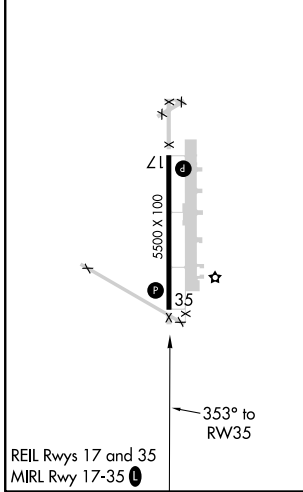
A For uncompensated Baro-VNAV systems, LNAV/VNAV NA below -18°C (0°F) or above 54°C (130°F). DME/DME RNP-0.3 NA. When local altimeter setting not received, use Great Bend altimeter setting: Increase LPV DA to 2295 feet and all visibilities ¼ SM; Increase LNAV/VNAV DA to 2421 feet and all visibilities ½ SM; Increase all MDAs 100 feet and visibility Cat C ¼ SM. Baro-VNAV and VDP NA when using Great Bend altimeter setting.

MISSED APPROACH: Climb to 4300 direct ORLIE and hold.

AWOS-3PT 118.725	KANSAS CITY CENTER 118.8 322.425	UNICOM 122.8 (CTAF) 0
----------------------------	--	---------------------------------



ELEV 1953	TDZE 1946
-----------	-----------



CATEGORY	A	B	C	D
LPV DA	2196-1	250 (300-1)		NA
LNAV/VNAV DA	2322-1¼	376 (400-1¼)		NA
LNAV MDA	2320-1	374 (400-1)		NA
CIRCLING	2380-1 427 (500-1)	2420-1 467 (500-1)	2580-1¾ 627 (700-1¾)	NA

NC-2, 02 DEC 2021 to 30 DEC 2021

NC-2, 02 DEC 2021 to 30 DEC 2021