

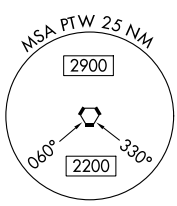
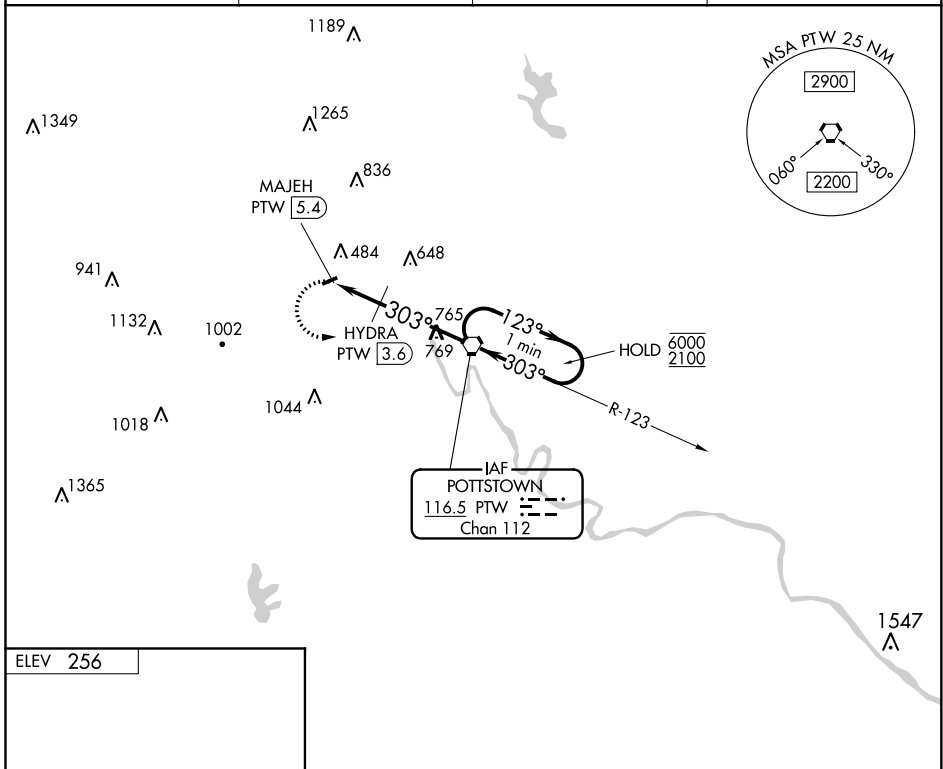
VORTAC PTW 116.5 Chan 112	APP CRS 303°	Rwy Idg TDZE Apt Elev	N/A N/A 256
---	------------------------	-----------------------------	--

VOR-B
POTTSTOWN MUNI (N47)

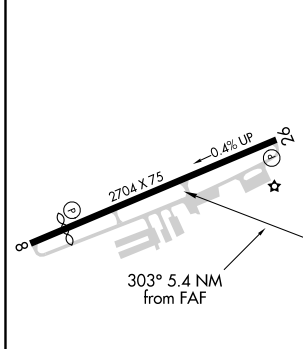
NA Use Heritage Field altimeter setting. Procedure NA at night. Rwy 26 helicopter visibility reduction below 1 SM NA.

MISSED APPROACH: Climbing left turn to 2100 direct PTW VORTAC and hold.

PTW ASOS 119.425	PHILADELPHIA APP CON 126.85 263.125	CLNC DEL 118.55	UNICOM 122.8 (CTAF) 0
----------------------------	---	---------------------------	--

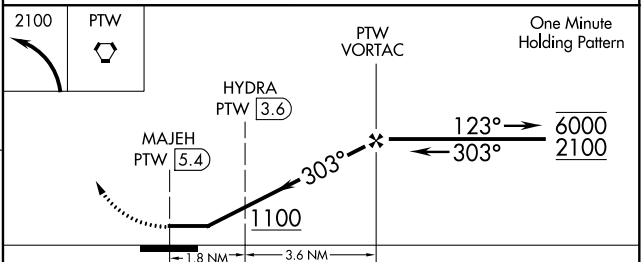


ELEV 256



REIL Rwy 8 and 26 **0**
MIRL Rwy 8-26 **0**

FAF to MAP 5.4 NM					
Knots	60	90	120	150	180
Min:Sec	5:24	3:36	2:42	2:10	1:48



CATEGORY	A	B	C	D
CIRCLING	1100-1¼	844 (900-1¼)	1140-2¾ 884 (900-2¾)	NA
HYDRA FIX MINIMUMS				
CIRCLING	1020-1 764 (800-1)	1080-1¼ 824 (900-1¼)	1140-2¾ 884 (900-2¾)	NA

NE-4, 02 DEC 2021 to 30 DEC 2021

NE-4, 02 DEC 2021 to 30 DEC 2021