

LOC/DME I-JAV 110.5 Chan 42	APP CRS 093°	Rwy Idg 7709 TDZE 668 Apt Elev 680
--	------------------------	---

ILS or LOC RWY 9R

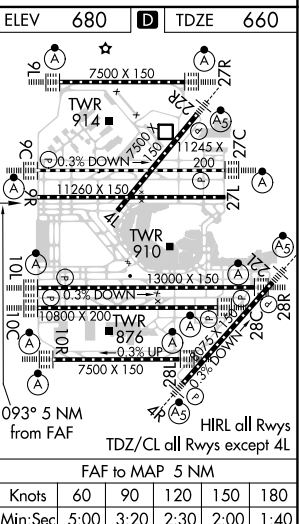
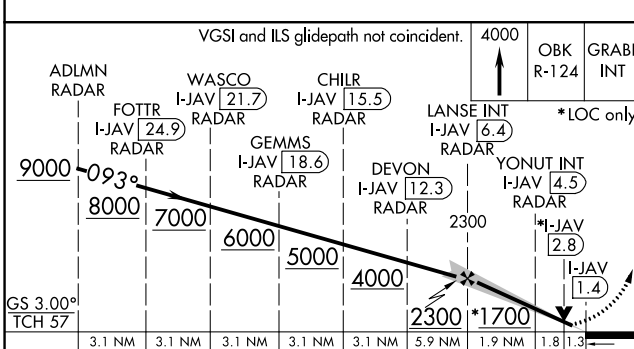
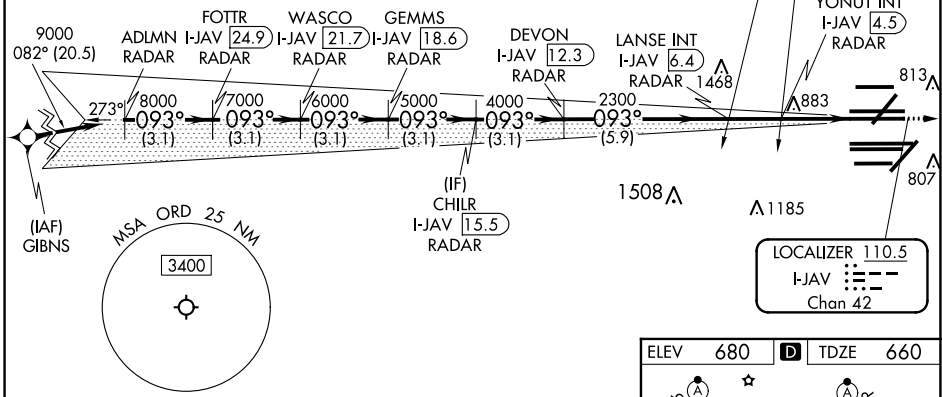
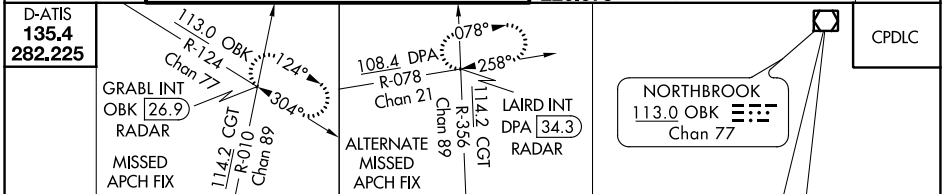
CHICAGO O'HARE INTL (ORD)

From GIBNS: RNAV 1-GPS required. RADAR or DME required.
Aircraft not GPS equipped: RADAR required for procedure entry.

Simultaneous approach authorized.
For inop ALS, increase S-LOC 9R Cat C/D visibility to 1 1/2 SM.

MISSED APPROACH: Climb to 4000 on OBK VOR/DME R-124 to GRABL INT/OBK 26.9 DME/RADAR and hold.

CHICAGO APP CON 119.0 292.125	O'HARE TOWERS 128.15 348.0 (Rwy 9L/27R) 126.9 132.7 348.0 (CENTER)	124.125 118.05 226.675 (ALL TWRS)	GND CON (TWR CENTER) 121.75 (OBND) 121.9 (IBND)	CLNC DEL 121.6
---	--	--	---	--------------------------



CATEGORY	A	B	C	D
S-ILS 9R	860/18 200 (200-1/2)			
S-LOC 9R	1160/24	500 (500-1/2)	1160/50	500 (500-1)

EC-3, 30 DEC 2021 to 27 JAN 2022

EC-3, 30 DEC 2021 to 27 JAN 2022