

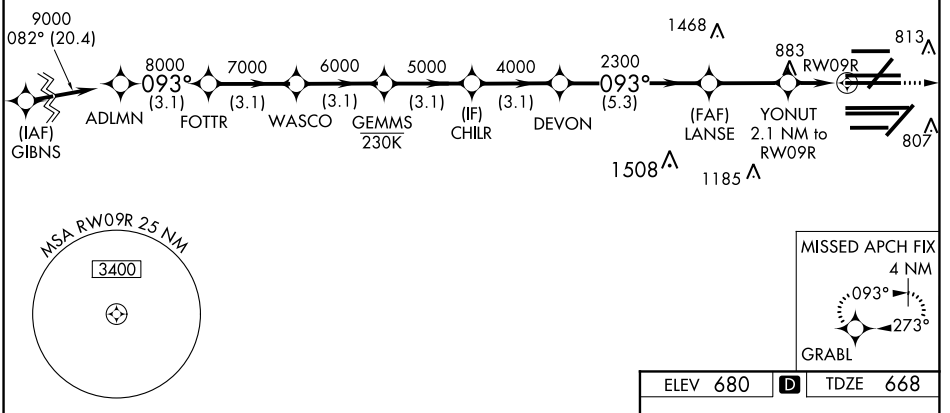
| | | |
|--|------------------------|---|
| WAAS CH 78204 W09A | APP CRS 093° | Rwy ldg 7709 TDZE 668 Apt Elev 680 |
|--|------------------------|---|

RNAV (GPS) RWY 9R

CHICAGO O'HARE INTL (ORD)

| | | | | | |
|--|---|--|--|---|--|
| RNP APCH - GPS. RADAR required. | | MALSR | | MISSED APPROACH: Climb to 4000 direct GRABL and hold. | |
| <p>Simultaneous approach authorized. Use of FD or AP required during simultaneous operations. LNAV procedure NA during simultaneous operations. For uncompensated Baro-VNAV systems, LNAV/VNAV NA below -18°C or above 54°C.</p> | | | | | |
| D-ATIS 135.4 282.225 | CHICAGO APP CON 119.0 292.125 | O'HARE TOWERS 128.15 348.0 (Rwy 9L/27R) 133.0 348.0 (10R/28L) 120.75 121.15 126.9 132.7 348.0 (CENTER) | | GND CON (TWR NORTH) 124.125 (TWR SOUTH) 118.05 (ALL TWRS) 226.675 | (TWR CENTER) (OBND) 121.75 (IBND) 121.9 |

| | |
|--------------------------|-------|
| CLNC DEL 121.6 | CPDLC |
|--------------------------|-------|



EC-3, 30 DEC 2021 to 27 JAN 2022

EC-3, 30 DEC 2021 to 27 JAN 2022

| | | | | | | | | |
|--------------|--------|--------|----------------------------------|--------|---|--------|--|-------|
| ADLMN | FOTTR | WASCO | GEMMS | CHILR | DEVON | LANS E | YONUT | RW09R |
| 9000 | 8000 | 7000 | 6000 | 5000 | 4000 | 2300 | 1400 | |
| GP 3.00° | | | | | | | | |
| TCH 59 | | | | | | | | |
| | 3.1 NM | 3.1 NM | 3.1 NM | 3.1 NM | 3.1 NM | 5.3 NM | 2.8 NM | 0.8 |
| | | | | | | | | 1.3 |
| CATEGORY | A | | B | | C | | D | |
| LPV DA | | | 868- ³ / ₄ | | 200 (200- ³ / ₄) | | | |
| LNAV/VNAV DA | | | 976- ⁷ / ₈ | | 308 (300- ⁷ / ₈) | | | |
| LNAV MDA | 1140-1 | | 472 (500-1) | | 1140-1 ³ / ₈ | | 472 (500-1 ³ / ₈) | |

