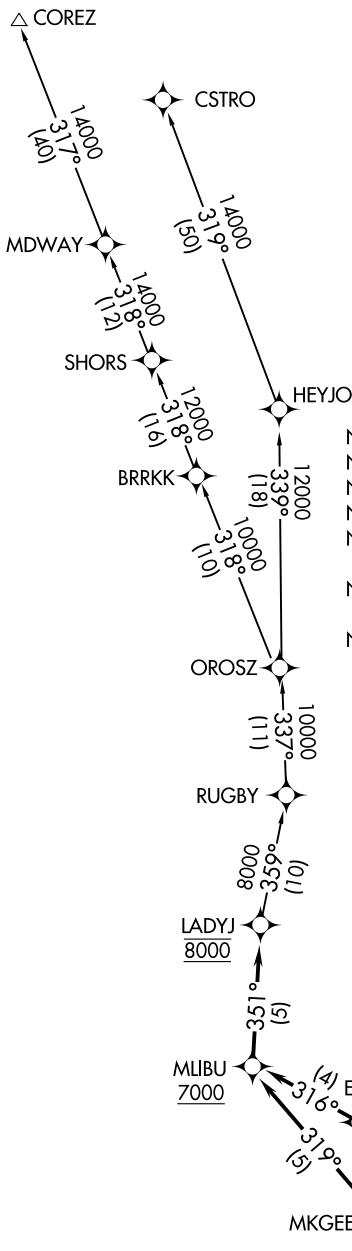


**TOP ALTITUDE:  
8000**

D-ATIS DEP 135.65  
 CLNC DEL 120.35 327.0  
 CPDLC  
 GND CON (N) 121.65 327.0  
 (S) 121.75 327.0  
 (W) 121.4 327.0  
 LOS ANGELES TOWER (N) 133.9 239.3  
 (S) 120.95 379.1  
 SOCAL DEP CON 124.3 363.2 (045°-224°)  
 125.2 263.025 (225°-044°)



NOTE: DME/DME/IRU or GPS required.  
 NOTE: RADAR required.  
 NOTE: RNAV 1.  
 NOTE: Restricted to turbojet aircraft only.  
 NOTE: Some departures may be RADAR vectored to MLIBU, LADYJ, or OROSZ.  
 NOTE: Maintain at or below 250K unless otherwise directed by ATC.  
 NOTE: Use the DARRK, SUMMR, or VENTURA DEPARTURE during the time periods of 2100-0700 local in lieu of the LADYJ DEPARTURE.

TAKEOFF MINIMUMS

Rwys 6L/R, 7L/R: NA-ATC.

Rwys 24L/R, 25L/R: Standard with minimum climb of 500' per NM to 640.

(NARRATIVE ON FOLLOWING PAGE)

NOTE: Chart not to scale.