

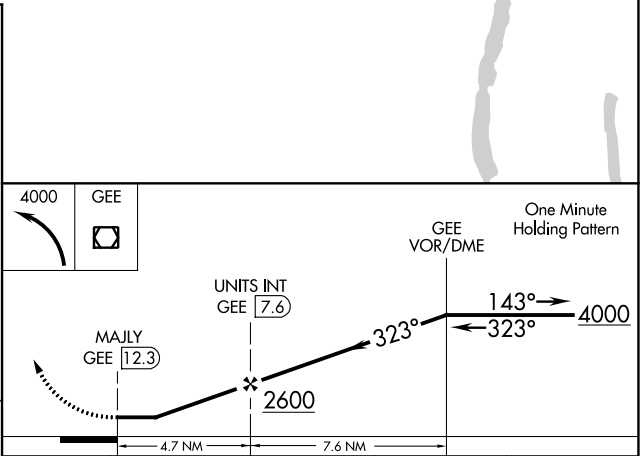
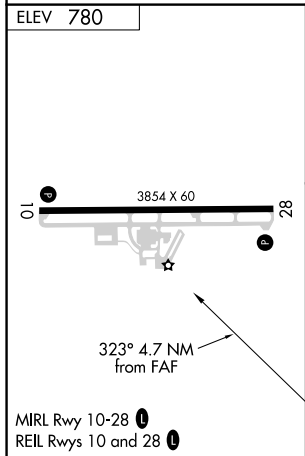
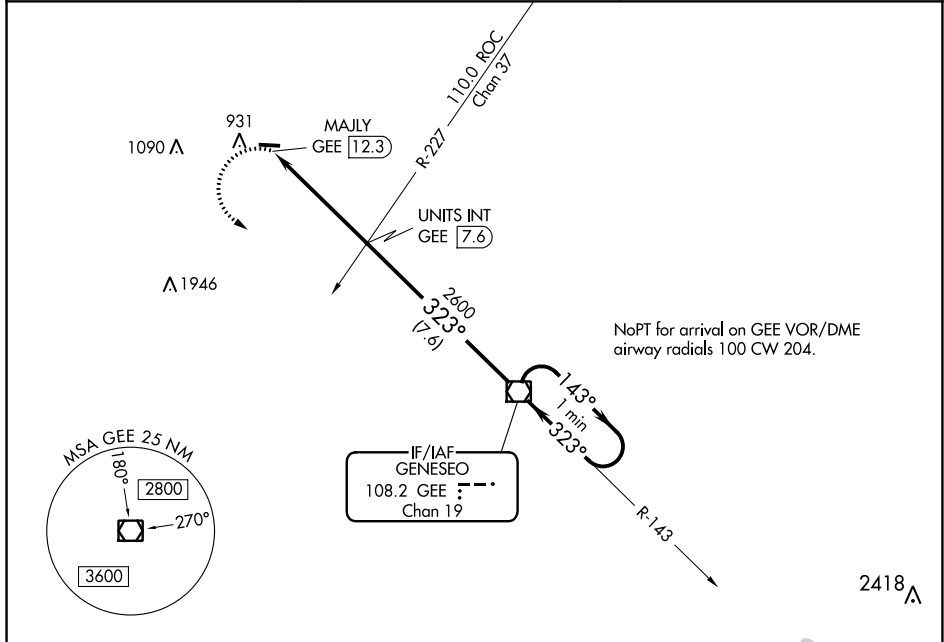
VOR/DME GEE <b>108.2</b> Chan <b>19</b>	APP CRS <b>323°</b>	Rwy Idg TDZE Apt Elev	N/A N/A <b>780</b>
---	------------------------	--------------------------	--------------------------

**VOR-A**  
LE ROY (5G0)

**⚠** Use Frederick Douglass/Greater Rochester Intl altimeter setting. Circling Rwy 10 NA at night. When Circling to Rwy 28 at night, operational VGSI required, remain on or above VGSI glidepath until threshold.

**MISSED APPROACH:** Climbing left turn to 4000 direct GEE VOR/DME and hold.

ROC ASOS <b>124.825</b>	ROCHESTER APP CON <b>123.7 322.3</b>	UNICOM <b>122.8 (CTAF) 0</b>
----------------------------	---	---------------------------------



FAF to MAP 4.7 NM					
Knots	60	90	120	150	180
Min:Sec	4:42	3:08	2:21	1:53	1:34
CATEGORY	A		B		C
CIRCLING	1440-1		660 (700-1)		NA

NE-2, 27 JAN 2022 to 24 FEB 2022

NE-2, 27 JAN 2022 to 24 FEB 2022