

VAN HORN

CULBERSON CO (VHN)(KVHN) 3 NE UTC-6(-5DT) N31°03.47' W104°47.03'

3957 B NOTAM FILE ABQ

RWY 03-21: H6005X76 (ASPH) S-15 MIRL(NSTD) 0.6% up SW

RWY 03: PAPI(P2L)—GA 3.0° TCH 45'. Brush.

RWY 21: PAPI(P2L)—GA 3.0° TCH 44'. Brush.

RWY 07-25: H5353X75 (ASPH) S-15 MIRL 0.9% up W

RWY 07: Brush.

RWY 25: Brush.

SERVICE: FUEL 100LL, JET A+ LGT Actvt PAPI Rwy 03 and 21—CTAF.

Rwy 21 has nstd lenses. North side has split clear/amber. South side has clear lenses.

AIRPORT REMARKS: Attended 1500-0000Z†. For fuel call 432-283-2237 or 432-284-1418. Rwy 07-25 paint markings faded. Space Launch Activity Area – See Special Notices.

AIRPORT MANAGER: 432-283-2920

WEATHER DATA SOURCES: AWOS-3PT 119.925 (432) 283-2418.

COMMUNICATIONS: CTAF 122.9

ALBUQUERQUE CENTER APP/DEP CON 135.875

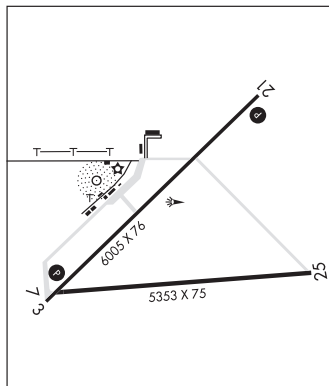
CLEARANCE DELIVERY PHONE: For CD ctc Albuquerque ARTCC at 505-856-4861.

RADIO AIDS TO NAVIGATION: NOTAM FILE ABQ.

HUDSPETH (L) (L) VORTACW 115.0 HUP Chan 97 N31°34.12'

W105°22.58' 123° 43.2 NM to fld. 4390/12E.

VAN HORN NDB (MHW) 233 VHN N31°03.70' W104°47.20' at fld. 3943/10E. NDB unmonitored.



EL PASO
H-6F, L-6J
IAP

VAN ZANDT CO RGNL (See WILLS POINT on page 422)

VEELS N32°27.33' W94°47.85' NOTAM FILE GGG.

NDB (LOMW) 410 GG 131° 6.1 NM to East Texas Rgnl. 263/3E.

MEMPHIS

VEGA

OLDHAM CO (E52) 2 SE UTC-6(-5DT) N35°13.84' W102°23.93'

3995 B NOTAM FILE FTW

RWY 17-35: H4200X60 (ASPH) S-20 MIRL

RWY 17: PAPI(P2L). P-line.

RWY 35: Fence.

SERVICE: FUEL 100LL, JET A LGT ACTIVATE MIRL Rwy 17-35 and PAPI Rwy 17—CTAF.

AIRPORT REMARKS: Unattended. 100LL Fuel 24 hr self serve. Rwy 17-35 rwy sfc poor, loose stones. Rwy 17 markings faded.

AIRPORT MANAGER: (806) 346-2352

COMMUNICATIONS: CTAF 122.9

CLEARANCE DELIVERY PHONE: For CD ctc Albuquerque ARTCC at 505-856-4861.

RADIO AIDS TO NAVIGATION: NOTAM FILE FTW.

PANHANDLE (H) (H) VORTACW 116.6 PNH Chan 113 N35°14.10' W101°41.94' 262° 34.4 NM to fld. 3595/8E.

ALBUQUERQUE
L-15B