

WAAS CH 56421 W10A	APP CRS 102°	Rwy Idg 4184 TDZE 430 Apt Elev 437
--	------------------------	---

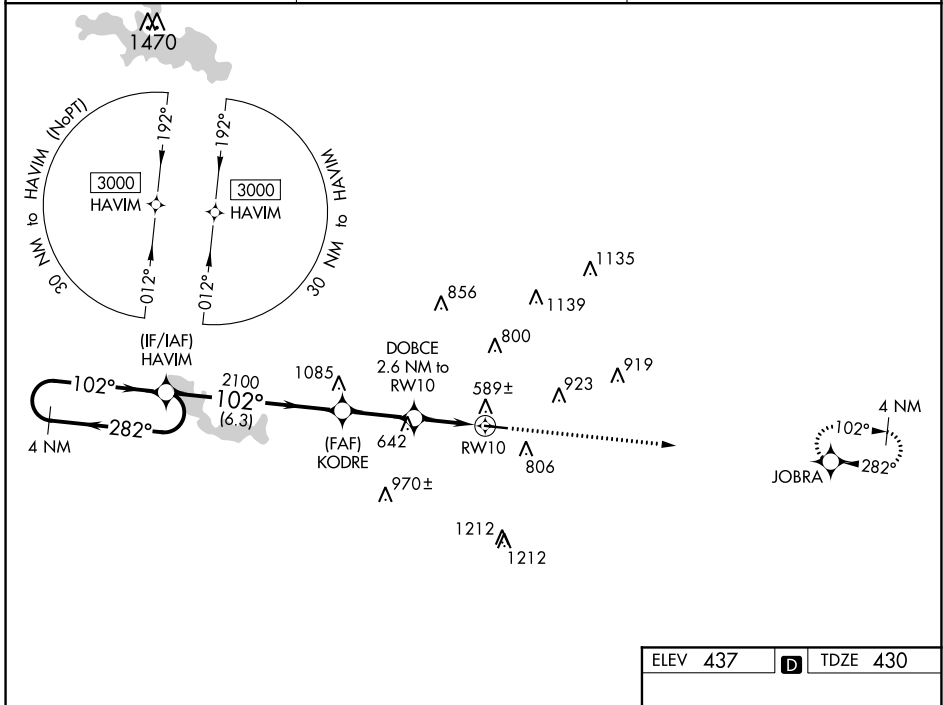
RNAV (GPS) RWY 10

MACON DOWNTOWN (MAC)

Baro-VNAV NA. DME/DME RNP-0.3 NA. Use Middle Georgia altimeter setting, when not received, use Robbins AFB altimeter setting and increase LPV DA to 726 feet, increase LNAV/VNAV DA to 833 feet and increase all MDA 20 feet.

MISSED APPROACH:
Climb to 3000 direct JOBRA and hold.

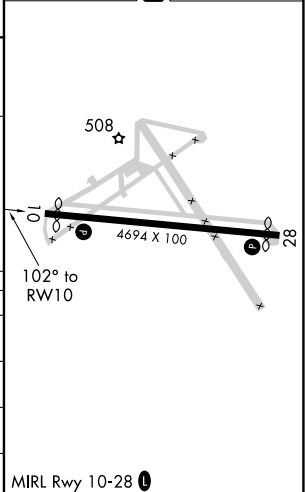
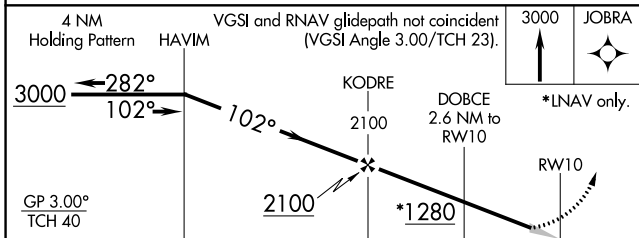
MCN ASOS 120.775	ATLANTA APP CON * 124.2 279.6	UNICOM 123.0 (CTAF) 0
----------------------------	---	---------------------------------



SE-4, 16 JUN 2022 to 14 JUL 2022

SE-4, 16 JUN 2022 to 14 JUL 2022

ELEV 437	D	TDZE 430
----------	----------	----------



CATEGORY	A	B	C	D
LPV DA		712-1	282 (300-1)	
LNAV/VNAV DA		819-1 $\frac{3}{8}$	389 (400-1 $\frac{3}{8}$)	
LNAV MDA	880-1	450 (500-1)	880-1 $\frac{3}{8}$	450 (500-1 $\frac{3}{8}$)
C CIRCLING	1200-1	763 (800-1)	1320-2 $\frac{3}{4}$ 883 (900-2 $\frac{3}{4}$)	1480-3 1043 (1100-3)

MIRL Rwy 10-28 **0**