

DADES NINE ARRIVAL (RNAV) Transition Routes

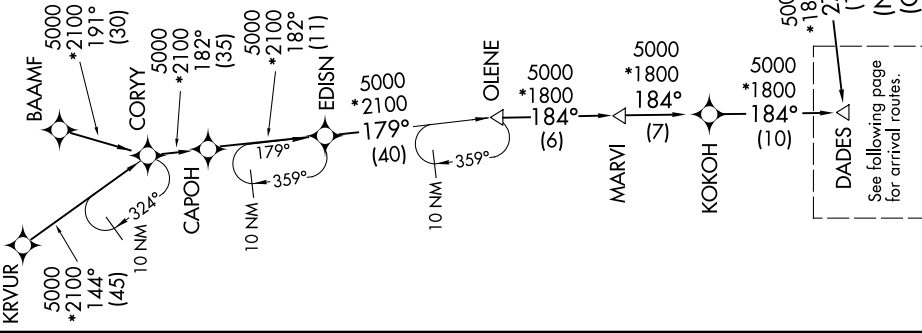
TAMPA, FLORIDA

TAMPA APP CON
135.5 279.6
KMCF ATIS
133.825 270.1
PIE ATIS
134.5
TPA D-ATIS
126.45
VDF AWOS-3
121.125



RNAV 1- DME/DME/IRU or GPS.
RADAR required.

NOTE: Jet and turboprop aircraft only.
NOTE: Do not file KRVUR, EDISN, BEAUX and NICCK
Transitions - To be assigned by ATC.



BAAMF TRANSITION (BAAMF.DADES9)
BEAUX TRANSITION (BEAUX.DADES9)
EDISN TRANSITION (EDISN.DADES9)
HIBAC TRANSITION (HIBAC.DADES9)
KRVUR TRANSITION (KRVUR.DADES9)
NICCK TRANSITION (NICCK.DADES9)

(NARRATIVE ON FOLLOWING PAGE)
(CONTINUED IN FOLLOWING PAGE)

See following page for arrival routes.

NOTE: Chart not to scale.