

WAAS CH <b>70641</b> <b>W17A</b>	APP CRS <b>172°</b>	Rwy Idg TDZE Apt Elev	<b>5399</b> <b>3677</b> <b>3677</b>
--	------------------------	-----------------------------	---

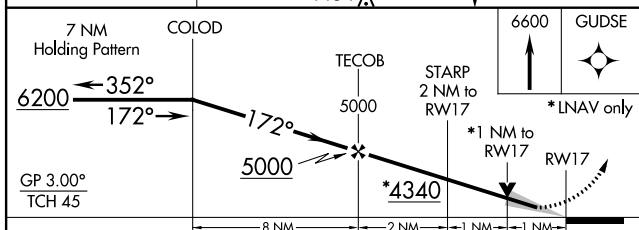
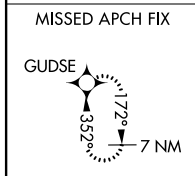
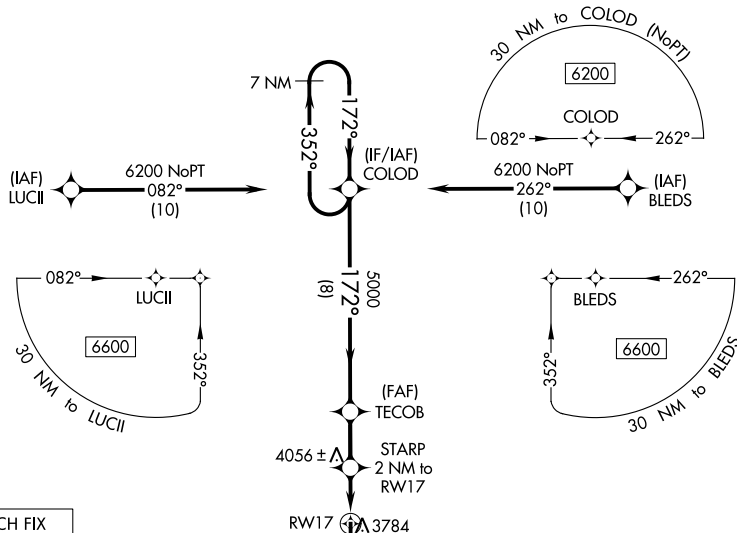
# RNAV (GPS) RWY 17

WRAY MUNI (2V5)

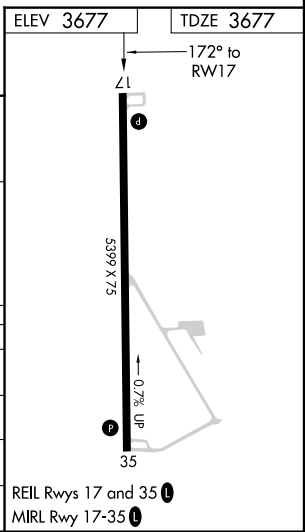
**⚠** For uncompensated Baro-VNAV systems, LNAV/VNAV NA below -22°C (-7°F) or above 53°C (127°F). Baro-VNAV and VDP NA when using Imperial altimeter setting. DME/DME RNP-0.3 NA. When local altimeter setting is not received use Imperial altimeter setting: increase LPV DA to 4020, and LNAV/VNAV DA to 4088 and visibility all Cats ¾ SM, increase all MDA 160 feet and LNAV Cat C/D visibility ¾ SM and Circling Cat C ½ SM, Cat D ¼ SM.

MISSED APPROACH: Climb to 6600 direct GUDSE and hold.

AWOS-3 <b>118.25</b>	DENVER CENTER <b>132.7 226.675</b>	UNICOM <b>122.8 (CTAF) ①</b>
-------------------------	---------------------------------------	---------------------------------



CATEGORY	A	B	C	D
LPV DA		3877-1	200 (200-1)	
LNAV/VNAV DA		3945-1	268 (300-1)	
LNAV MDA		4040-1	363 (400-1)	
CIRCLING	4100-1	4140-1	4540-2½	4540-2¾
	423 (500-1)	463 (500-1)	863 (900-2½)	863 (900-2¾)



SW-1, 16 JUN 2022 to 14 JUL 2022

SW-1, 16 JUN 2022 to 14 JUL 2022