

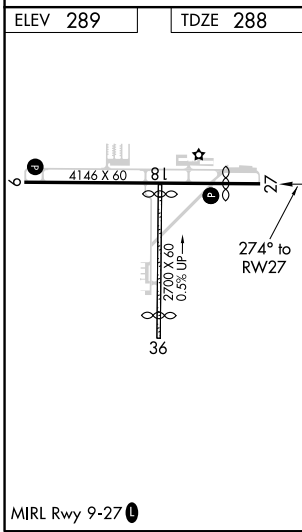
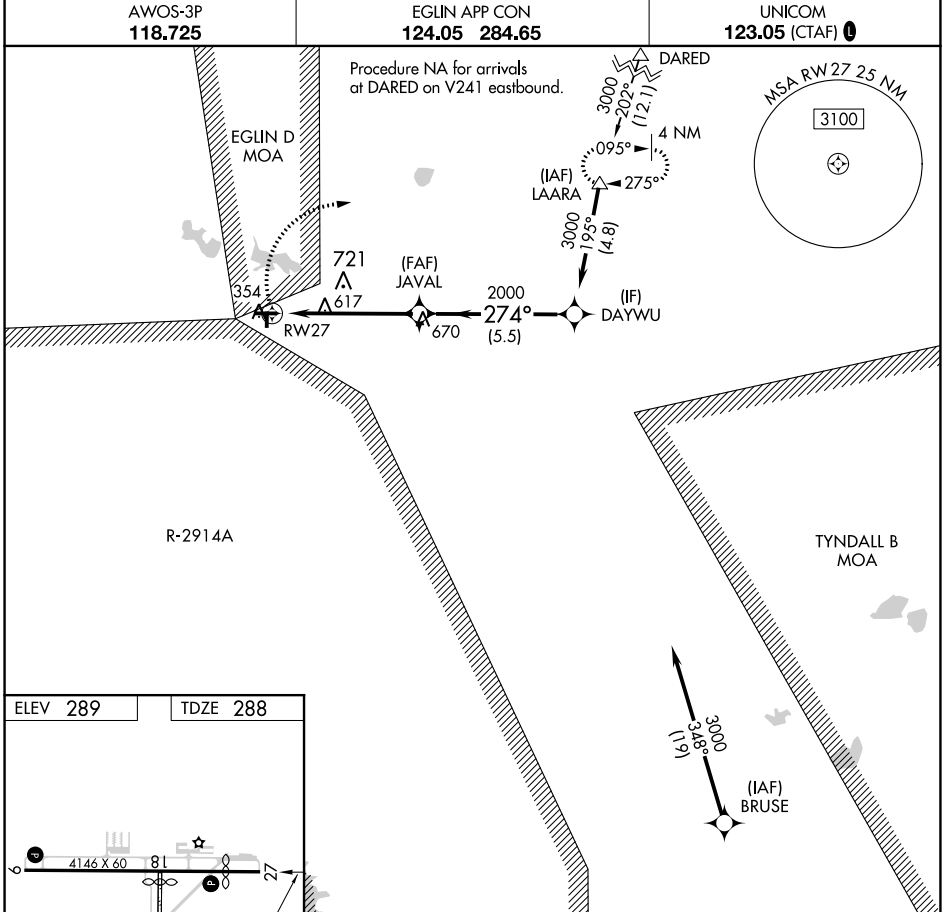
WAAS CH <b>97725</b> <b>W27A</b>	APP CRS <b>274°</b>	Rwy Idg TDZE Apt Elev	<b>3541</b> <b>288</b> <b>289</b>
--	------------------------	-----------------------------	---

# RNAV (GPS) RWY 27

DEFUNIAK SPRINGS (54J)

RNP APCH.  
 ⚠ Circling NA to Rwy 18 and 36. Circling Rwy 9 NA at night.  
 ⚠ Rwy 27 helicopter visibility reduction below  $\frac{3}{4}$  SM NA.

MISSED APPROACH: Climbing right turn to 3000  
 direct LAARA and hold.



3000	LAARA	Visual Segment - Obstacles.	DAYWU
	△	1.7 NM to RWY 27	
		JAVAL	
		2000	3000
		1.7 NM	3.6 NM
			5.5 NM
CATEGORY	A	B	C
LP MDA	880-1	592 (600-1)	NA
LNAV MDA	880-1	592 (600-1)	NA
CIRCLING	880-1	920-1	NA
	591 (600-1)	631 (700-1)	

SE-3, 16 JUN 2022 to 14 JUL 2022

SE-3, 16 JUN 2022 to 14 JUL 2022