

BUHL MUNI (UØ3) 2 W UTC-7(-6DT) N42°35.84' W114°48.04'SALT LAKE CITY
L-11C

3663 B NOTAM FILE BOI

RWY 09-27: H3898X60 (ASPH) S-12.5 MIRL 1.4% up E**RWY 09:** P-line.**RWY 27:** Pole.**SERVICE:** S4 **FUEL** 100LL, MOGAS **LGT** ACTIVATE MIRL Rwy 09-27—CTAF.**AIRPORT REMARKS:** Attended Tue-Sat 1530-0000Z. Phone 208-731-3781 for svc when arpt unattended.**AIRPORT MANAGER:** 208-961-6539**COMMUNICATIONS:** CTAF 122.9**CLEARANCE DELIVERY PHONE:** For CD ctc Twin Falls Apch at 208-734-7160, when Apch clsd ctc Salt Lake ARTCC at 801-320-2568.**RADIO AIDS TO NAVIGATION:** NOTAM FILE TWF.**TWIN FALLS (VL) (H) VORTACW** 113.1 TWF Chan 78 N42°28.79' W114°29.37' 279° 15.5 NM to fld. 4149/18E.

VOR unusable:

000°-010° byd 40 NM blo 7,000'

000°-010° byd 50 NM

011°-015° byd 40 NM

040°-091° byd 40 NM

092°-102° byd 40 NM blo 16,500'

092°-102° byd 77 NM

103°-106° byd 40 NM

107°-117° byd 40 NM blo 14,000'

107°-117° byd 64 NM blo 22,000'

118°-171° byd 40 NM

120°-160° byd 35 NM blo 12,000'

172°-182° byd 40 NM blo 13,000'

172°-182° byd 55 NM

183°-185° byd 40 NM

186°-196° byd 40 NM blo 10,600'

186°-196° byd 57 NM

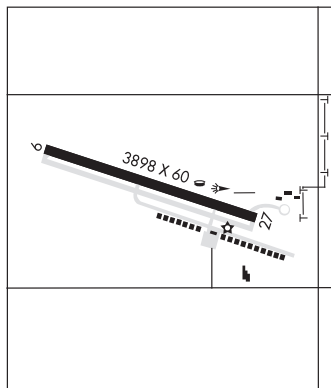
197°-230° byd 40 NM

TACAN AZIMUTH unusable:

120°-160° byd 35 NM blo 12,000'

DME unusable:

120°-160° byd 35 NM blo 12,000'

**BURLEY MUNI** (BYI)(KBYI) 1 NE UTC-7(-6DT) N42°32.56' W113°46.29'SALT LAKE CITY
L-11C
IAP

4154 B NOTAM FILE BYI

RWY 02-20: H4092X80 (ASPH) S-43, D-60 MIRL 0.3% up SW**RWY 02:** VASI(V4L)—GA 3.5° TCH 46'. Thld dsplcd 626'. Road.**RWY 20:** REIL. Thld dsplcd 305'. Stack.**RWY 06-24:** H4072X75 (ASPH) S-23 MIRL**RWY 06:** Thld dsplcd 796'. Railroad.**RWY 24:** VASI(V2R)—GA 3.0° TCH 52'. Thld dsplcd 115'. Pole.**SERVICE:** S4 **FUEL** 100LL, JET A **OX 4** **LGT** ACTVT MIRL Rwy 02-20 and Rwy 06-24—CTAF (3 clicks to turn on). VASI Rwy 02 and Rwy 24 opr consly.**AIRPORT REMARKS:** Attended May-Oct 1500-0000Z, Nov-Apr Mon-Fri 1500-0000Z, Nov-Apr wkends on call only 208-678-7118. For fuel sales ctc FBO. Nr on the FBO door. Birds invof all rwys, especially AER 20 and AER 24. AG activity on and invof all rwys Apr-Oct. Marked helipad on ramp in front of FBO bldg.**AIRPORT MANAGER:** 208-678-0372**WEATHER DATA SOURCES:** ASOS 135.575 (208) 677-3604.**COMMUNICATIONS:** CTAF 122.9**CONNOR RCO** 122.05 (BOISE RADIO)® **TWIN FALLS APP/DEP CON** 126.7 (1300-0400Z)® **SALT LAKE CENTER APP/DEP CON** 118.05 (0400-1300Z)**CLEARANCE DELIVERY PHONE:** For CD ctc Twin Falls Apch at 208-734-7160, when Apch clsd ctc Salt Lake ARTCC at 801-320-2568.**AIRSPACE:** CLASS E.**RADIO AIDS TO NAVIGATION:** NOTAM FILE BYI.(L) (L) **VORW/DME** 114.1 BYI Chan 88 N42°34.81' W113°51.95' 100° 4.8 NM to fld. 4226/18E.

DME unusable:

125°-135° byd 35NM blo 15,000'

