

WAAS CH <b>93628</b> <b>W25A</b>	APP CRS <b>254°</b>	Rwy Idg TDZE Apt Elev	<b>5000</b> <b>1122</b> <b>1122</b>
--	------------------------	-----------------------------	---

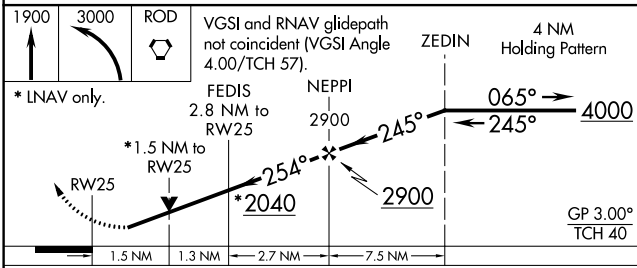
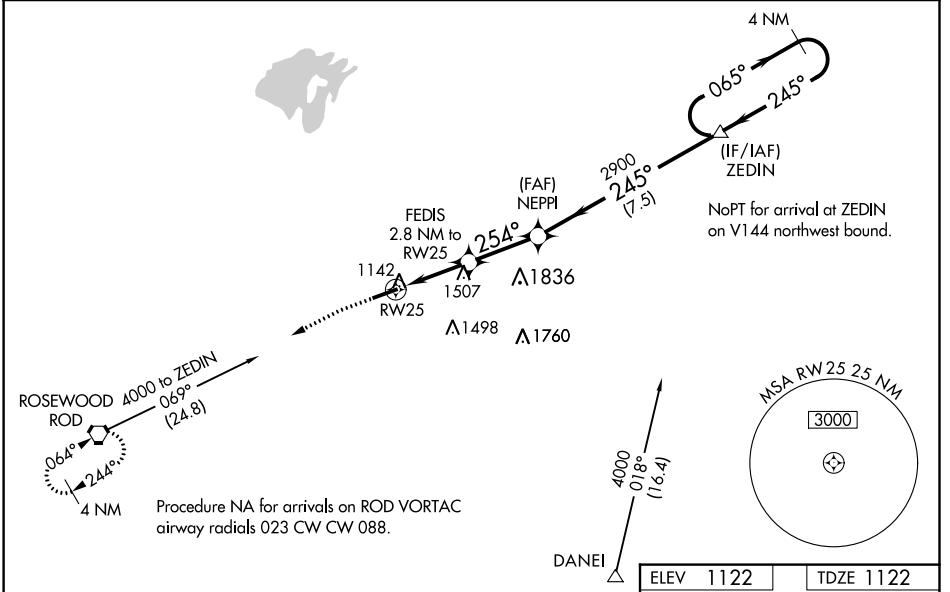
# RNAV (GPS) RWY 25

BELLEFONTAINE RGNL (E,D,J)

**⚠ NA** For uncompensated Baro-VNAV systems, LNAV/VNAV NA below -17°C (2°F) or above 36°C (96°F). DME/DME RNP-0.3 NA. Helicopter visibility reduction below 3/4 SM NA. When local altimeter setting not received, use James M. Cox Dayton Intl altimeter setting and increase all DA 94 feet and increase all MDA 100 feet and increase LPV and LNAV/VNAV visibility all Cats 3/8 mile and increase LNAV Cat B and Circling Cat B visibility 1/4 mile and increase LNAV Cats C and D visibility 1/2 mile and increase Circling Cat C visibility 1/2 mile and increase Circling Cat D visibility 1/4 mile. VDP and Baro-VNAV NA with James M. Cox Dayton Intl altimeter setting.

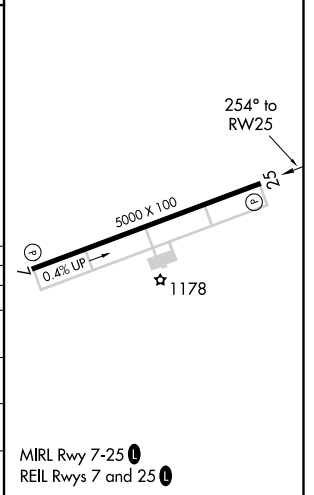
**MISSED APPROACH:**  
Climb to 1900 then climbing left turn to 3000 direct ROD VORTAC and hold.

AWOS-3 <b>118.075</b>	COLUMBUS APP CON <b>118.425 294.5</b>	UNICOM <b>122.8 (CTAF) 0</b>
--------------------------	--	---------------------------------



ELEV 1122	TDZE 1122
-----------	-----------

CATEGORY	A	B	C	D
LPV DA		1457-1 1/8	335 (400-1 1/8)	
LNAV/VNAV DA		1664-1 7/8	542 (600-1 7/8)	
LNAV MDA	1820-1 698 (700-1)		1820-2 698 (700-2)	
CIRCLING	1820-1 698 (700-1)		1860-2 738 (800-2)	1980-2 3/4 858 (900-2 3/4)



EC-2, 08 SEP 2022 to 06 OCT 2022

EC-2, 08 SEP 2022 to 06 OCT 2022