

**DAGGETT**

**BARSTOW-DAGGETT** (DAG)(KDAC) P (A) 4 E UTC-8(-7DT) N34°51.22' W116°47.20'

LOS ANGELES

1930 B NOTAM FILE DAG

H-4I, L-7C

**Rwy 08-26:** H6402X150 (ASPH) S-30, D-170, 2S-175, 2D-320

IAP, AD

MIRL 0.3% up W

**Rwy 08:** PAPI(P4L)—GA 3.0° TCH 50'.

**Rwy 26:** PAPI(P4L)—GA 3.0° TCH 50'.

**Rwy 04-22:** H5123X100 (ASPH) S-30, D-105, 2S-133, 2D-190

MIRL 0.3% up SW

**Rwy 04:** P-line.

**Rwy 22:** PAPI(P4L)—GA 3.0° TCH 49'.

**SERVICE:** FUEL 100LL, JET A LGT ACTVT MIRL Rwy 04-22 and Rwy 08-26—CTAF. PAPI Rwy 08, 22 and 26 opr consly.

**MILITARY—** FUEL A, A+ (avbl 1600-0100Z±, C760-254-2542. OT 2 hr PN rqr, C760-254-2349.) (NC- 100LL)

**AIRPORT REMARKS:** Attended 1430-0100Z±. PAEW invof Army ramp. Extensive military helicopter tfc invof arpt. E-W twy parallel to Rwy 08-26 weight bearing capacity limited to single wheel acft 12,000 lbs.

**AIRPORT MANAGER:** 909-387-8810

**WEATHER DATA SOURCES:** ASOS 132.175 (760) 254-3630.

**COMMUNICATIONS:** CTAF/UNICOM 123.0

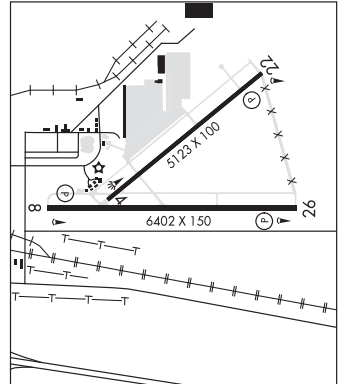
DAGGETT RCO 122.2 (RIVERSIDE RADIO)

Ⓡ L.A. CENTER APP/DEP CON 132.5

**CLEARANCE DELIVERY PHONE:** For CD if una to ctc on FSS freq, ctc Los Angeles ARTCC at 661-575-2079.

**RADIO AIDS TO NAVIGATION:** NOTAM FILE DAG.

DAGGETT (L) VORTACW 113.2 DAG Chan 79 N34°57.75' W116°34.69' 223° 12.2 NM to fld. 1760/15E.



**DAGGETT** N34°57.75' W116°34.69' NOTAM FILE DAG.

LOS ANGELES

(L) VORTACW 113.2 DAG Chan 79 223° 12.2 NM to Barstow-Daggett. 1760/15E.

H-4I, L-7D

RCO 122.2 (RIVERSIDE RADIO)

**DAVIS**

**UNIVERSITY** (EDU)(KEDU) 2 W UTC-8(-7DT) N38°31.89' W121°47.19'

SAN FRANCISCO

68 B TPA—868(800) NOTAM FILE RIU

L-2G, 3A

**Rwy 17-35:** H3176X50 (ASPH) MIRL(NSTD)

IAP

**Rwy 17:** SAVASI(S2L)—GA 4.25° TCH 26'. Tree.

**Rwy 35:** VASI(V2L)—GA 3.75° TCH 27'. Trees.

**SERVICE:** S4 FUEL 100LL LGT ACTIVATE VASI Rwy 35, MIRL Rwy 17-35—CTAF. SAVASI Rwy 17 opr continuously.

**NOISE:** Noise abatement, noise sensitive area north of arpt.

**AIRPORT REMARKS:** Attended Mon-Fri 1600-2000Z±. After hrs emerg

University of California Davis police 530-752-1230. After hrs non-emerg University of California Davis police 530-752-1727. Fuel self svc avbl 24 hrs. 65' trees located south side of creek 1,257' from thld Rwy 35. Trees +40', west side of rwy near Rwy 17 thld.

**CAUTION:** Remote control acft within area defined as 0.5 NM radius of 38°35.00N/121°42.00'W (5 NM northeast EDU), sfc-1,200' AGL, SR-SS. Rwy 17-35 NSTD MIRL 35' from edge of rwy. Calm wind rwy is Rwy 07.

**AIRPORT MANAGER:** 530-752-5435

**WEATHER DATA SOURCES:** AWOS-3 119.025 (530) 754-6839.

**COMMUNICATIONS:** CTAF/UNICOM 123.075

Ⓡ TRAVIS APP/DEP CON 126.6

**CLEARANCE DELIVERY PHONE:** For CD ctc Oakland ARTCC at 510-745-3380.

**RADIO AIDS TO NAVIGATION:** NOTAM FILE SAC.

SACRAMENTO (H) VORTACW 115.2 SAC Chan 99 N38°26.62' W121°33.10' 278° 12.2 NM to fld. 3/17E.

