

APP CRS 078°	Rwy Idg TDZE Apt Elev	3303 -182 -182
------------------------	-----------------------------	---

RNAV (GPS) RWY 8

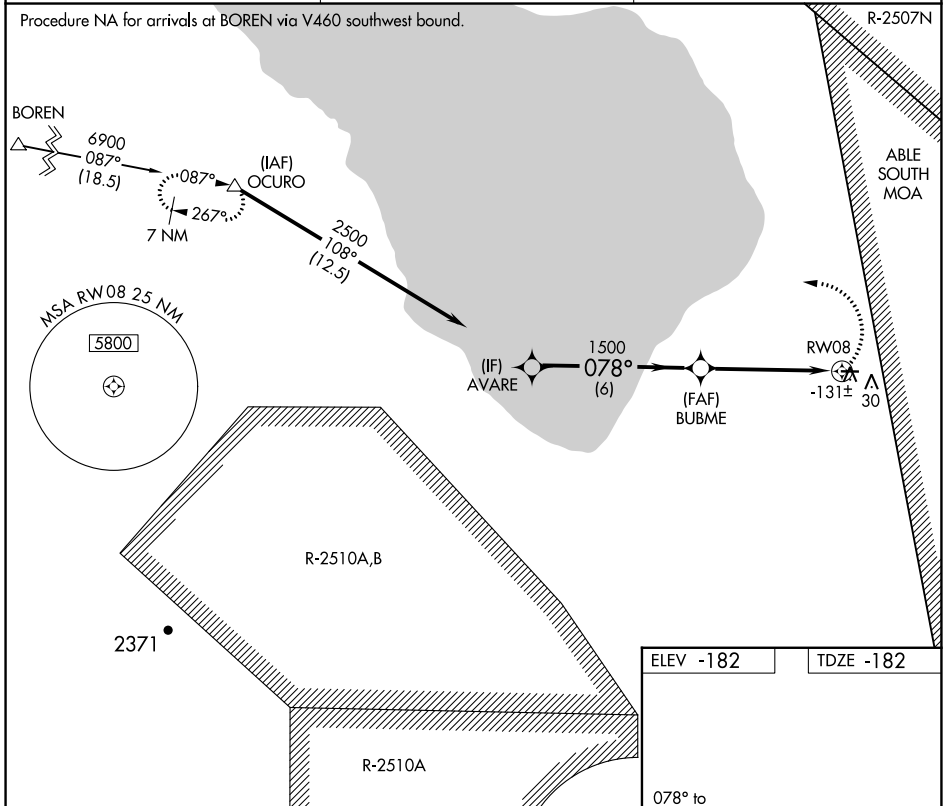
CLIFF HATFIELD MEML (CLR)

▽ DME/DME RNP-0.3 NA. Procedure NA at night.
△ NA Visibility reduction by helicopters NA.
 Use Imperial altimeter setting, when not received, procedure NA.

MISSED APPROACH: Climbing left turn to 7300 direct OCURO and hold, continue climb-in-hold to 7300.

IPL ASOS 132.175	LOS ANGELES CENTER 128.6 291.7	CTAF 122.9
----------------------------	--	----------------------

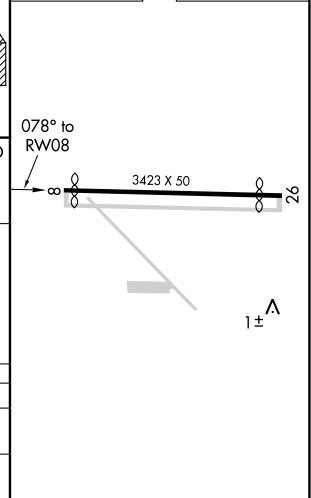
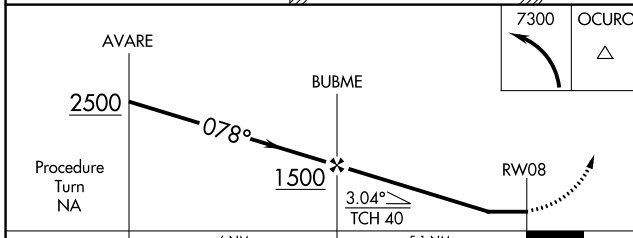
Procedure NA for arrivals at BOREN via V460 southwest bound.



SW-3, 18 MAY 2023 to 15 JUN 2023

SW-3, 18 MAY 2023 to 15 JUN 2023

ELEV -182	TDZE -182
-----------	-----------



CATEGORY	A	B	C	D
LNVA MDA	300-1	482 (500-1)	300-1¼ 482 (500-1¼)	NA
CIRCLING	440-1	622 (700-1)	440-1¼ 622 (700-1¼)	NA