

| | | | |
|--|------------------------|-----------------------------|---|
| WAAS CH 86438 W32A | APP CRS 324° | Rwy Idg TDZE Apt Elev | 5731 4546 4595 |
|--|------------------------|-----------------------------|---|

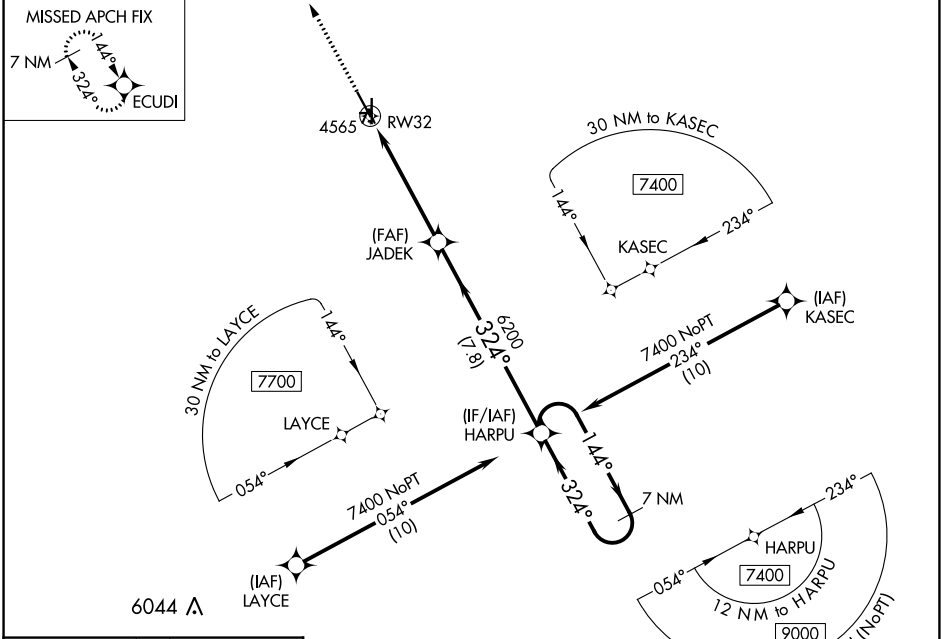
RNAV (GPS) RWY 32

FORT MORGAN MUNI (FMM)

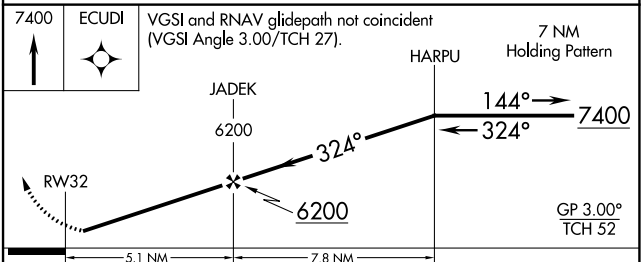
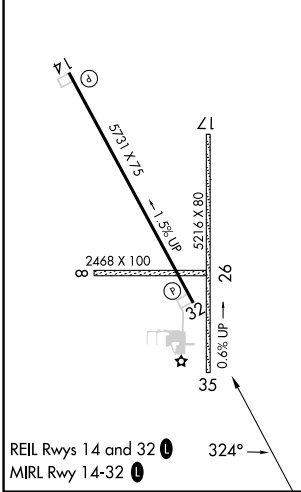
⚠ DME/DME RNP-0.3 NA. When local altimeter setting not received, use Akron altimeter setting: increase all DA to 4879 feet and all visibilities 1/8 mile; increase all MDA 100 feet and all Cat C and D visibilities 1/4 mile. Night landing: Rwy 8, 17, 26, 32, 35 NA. Helicopter visibility reduction below 1 SM NA.

MISSED APPROACH:
Climb to 7400 direct ECUDI and hold.

| | | |
|---------------------------|---------------------------------------|----------------------------------|
| AWOS-3PT 132.95 | DENVER CENTER 118.475 225.4 | UNICOM 123.05 (CTAF) 0 |
|---------------------------|---------------------------------------|----------------------------------|



| | |
|-----------|-----------|
| ELEV 4595 | TDZE 4546 |
|-----------|-----------|



| CATEGORY | A | B | C | D |
|-------------------|-----------------------|-----------------------|-------------------------|-------------------------|
| LPV DA | | 4796-1 | 250 (300-1) | |
| LNAV/VNAV DA | | 4796-1 | 250 (300-1) | |
| LNAV MDA | | 4820-1 | 274 (300-1) | |
| C CIRCLING | 5040-1 445 (500-1) | 5080-1 485 (500-1) | 5120-1½ 525 (600-1½) | 5340-2½ 745 (800-2½) |

SW-1, 18 MAY 2023 to 15 JUN 2023

SW-1, 18 MAY 2023 to 15 JUN 2023