

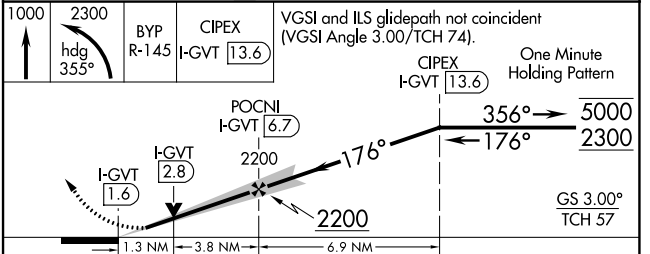
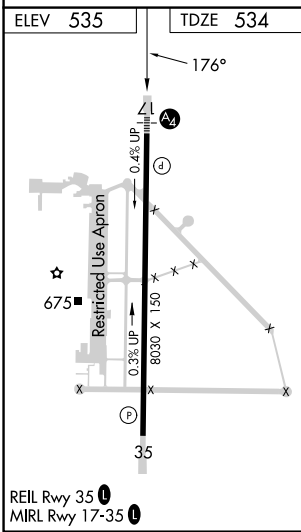
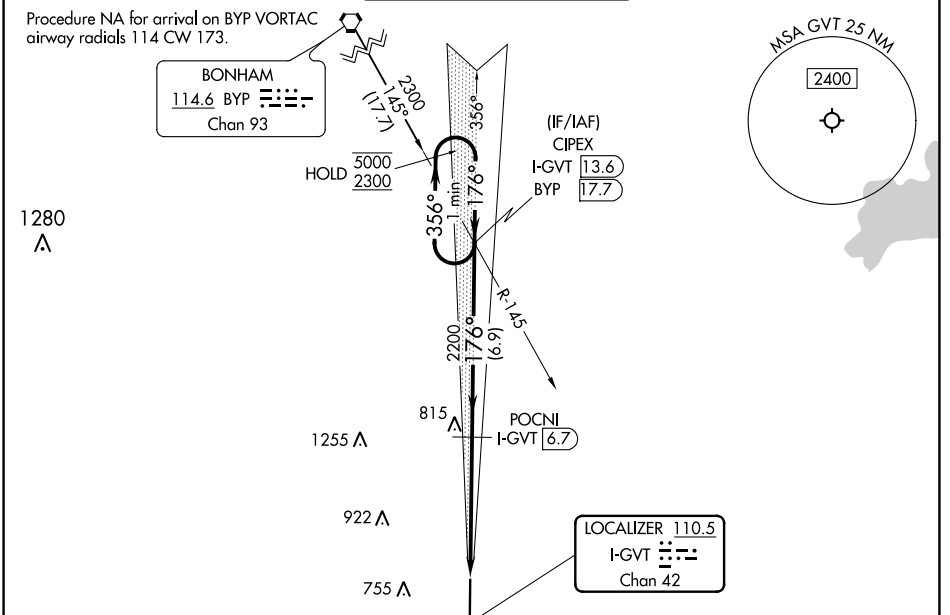
LOC/DME I-GVT 110.5 Chan 42	APP CRS 176°	Rwy Idg TDZE Apt Elev	8030 534 535
-------------------------------------------------	------------------------	-----------------------------	-----------------------------------------

ILS Z or LOC Z RWY 17

MAJORS (GVT)

DME required.	MALS	MISSED APPROACH: Climb to 1000 then climbing left turn to 2300 on heading 355° and BYP VORTAC R-145 to CIPEX/I-GVT 13.6 DME and hold.
<p>⚠ Inop table does not apply to S-ILS 17 all Cats and S-LOC 17 Cats A/B.</p> <p>⚠ For inop ALS, increase S-LOC 17 Cat E visibility to 1 3/8 SM. Autopilot coupled approach NA below 900 feet.</p>		

AWOS-3 133.425	FORT WORTH CENTER 132.025 360.75	MAJORS TOWER ★ 118.65 (CTAF) 0 385.425	GND CON 121.7 335.8	UNICOM 122.95
--------------------------	--------------------------------------------	--------------------------------------------------	-------------------------------	-------------------------



CATEGORY	A	B	C	D	E
S-ILS 17	734-1		200 (200-1)		
S-LOC 17	1000-1	466 (500-1)	1000-1 1/8		466 (500-1 1/8)
C CIRCLING	1000-1 465 (500-1)	1060-1 525 (600-1)	1060-1 1/2 525 (600-1 1/2)	1240-2 1/4 705 (800-2 1/4)	1300-2 3/4 765 (800-2 3/4)

SC-2, 07 SEP 2023 to 05 OCT 2023

SC-2, 07 SEP 2023 to 05 OCT 2023